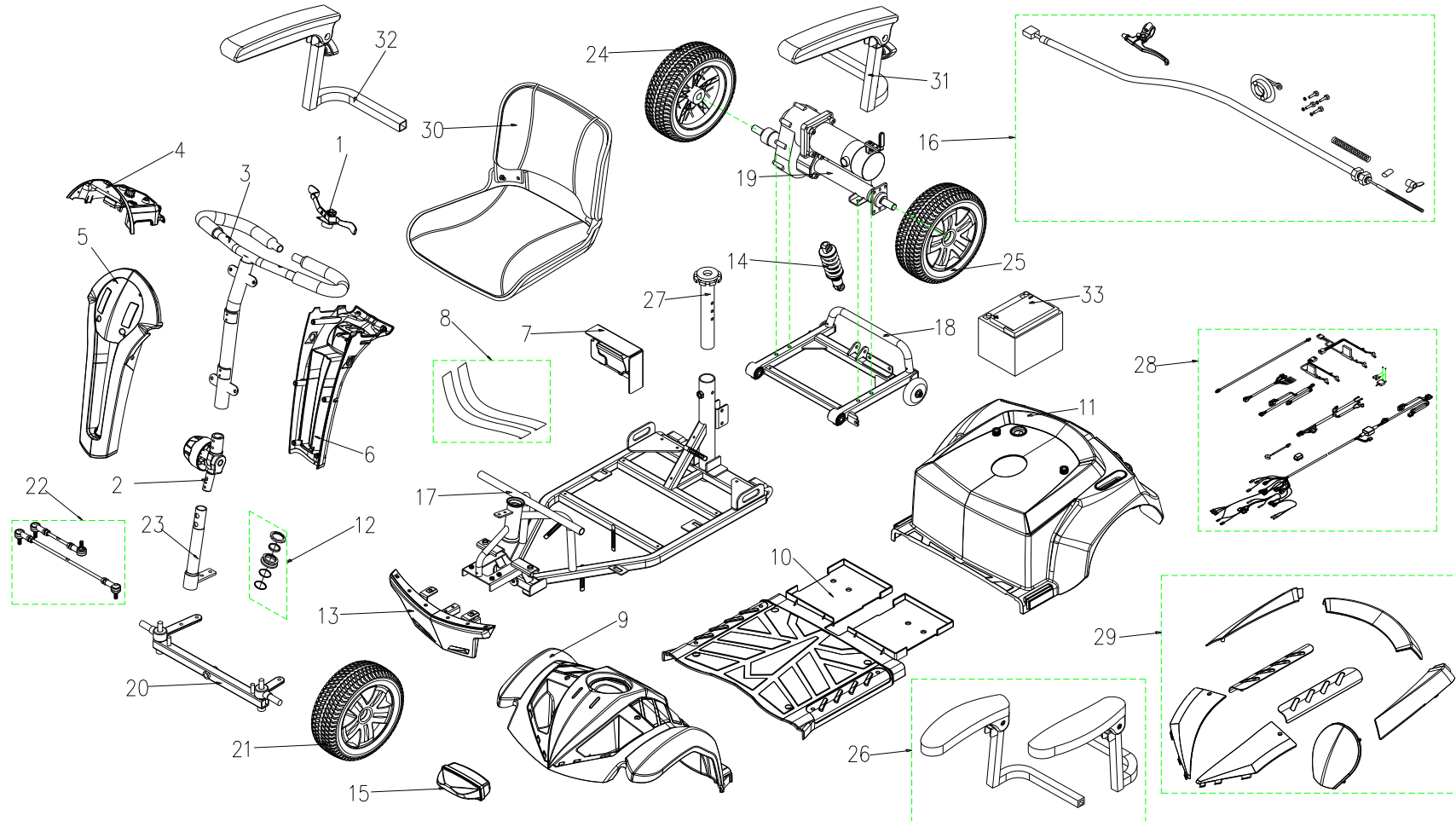
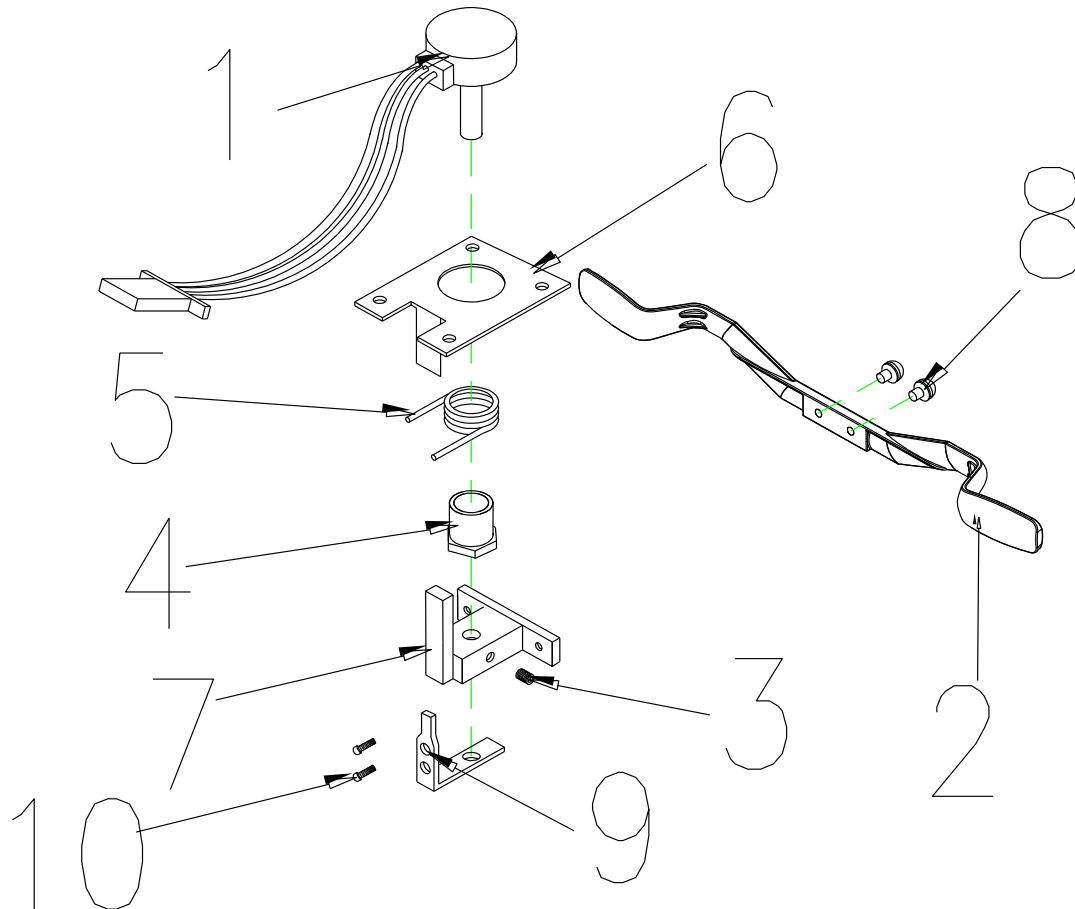


Xenata S



Xenata S

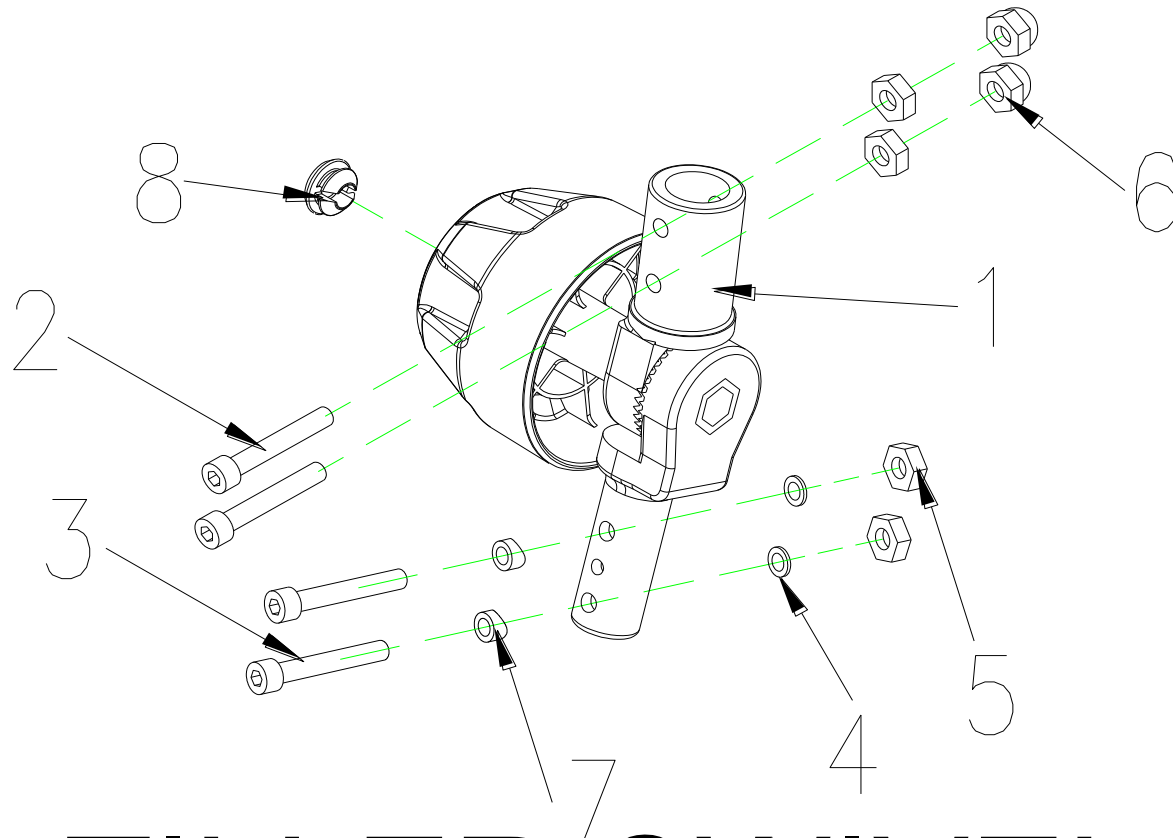
Fig&Index NO.	Parts No.	Parts Name	QTY
1	S12-067-00100	SPEED DIAL ASS'Y	1SET
2	S02-067-00100	TILLER SWIVEL ASS'Y	1SET
3	S02-067-00200	DELTA TILLER ASS'Y, 6mph	1SET
3	S02-067-00500	DELTA TILLER ASS'Y, 8mph	1SET
4	S08-067-00800	COVER , HANDLE BAR ASS'Y, w/o LABLE, ANALOG, M4JH6	1SET
4	S10-067-00300	COVER , HANDLE BAR ASS'Y, PCB, M4JH8	1SET
4	S08-067-01900	COVER , HANDLE BAR , UPPER ,W/I LABEL, ANALOG, M4JH6	1
5	S08-067-00900	FRONT STEERING SHORUD ASS'Y , W/O DECORATION	1
6	S08-067-00400	REAR STEERING SHORUD ASS'Y	1
7	S10-067-00100	CONTROLLER ASS'Y , P&G 70A , W/I COVER	1
8	S34-067-00100	VELCRO STRIP SET , BATTERY	1
9	S08-067-00200	FRONT SHROUD ASS'Y , BLACK , W/I RUBBER COVER, 6mph	1SET
9	S08-067-02300	FRONT SHROUD ASS'Y , BLACK , W/I RUBBER COVER, 8mph	1SET
10	S08-067-00500	SHROUD , FOOTREST ASS'Y	1
11	S08-067-01000	REAR SHROUD ASSY' , W/O LABEL , RED11	1SET
12	S02-001-00601	REGULAR BEARING BALL SET	1SET
13	S01-067-00100	FRONT BUMPER ASS'Y	1
14	S04-067-00100	ABSORBER ASS'Y , 250LBS	1
15	S13-067-00100	HEADLIGHT ASS'Y , W/I HOLDER	1
16	S35-067-00100	BRAKE ASS'Y	1
17	S01-067-00200	FRAME,FRONT SECTION ASS'Y	1SET
18	S01-067-00300	FRAME,REAR SECTION ASS'Y , W/I HOLDER	1SET
19	S09-067-00200	REAR DRIVE ASS'Y , 470W5300RPM/22 : 1	1
19	S09-067-00300	REAR DRIVE ASS'Y , 10M500W/5700RPM/20 : 1	1
20	S03-039-00400	FRONT FORK ASS'Y	1SET
21	S05-040-00200	FRONT TIRE ASSY,300-4	1SET
22	S03-033-00400	CONNECTING ROD ASS'Y	1SET
23	S03-067-00100	L TYPE STEERING AXLE ASS'Y	1SET
24	S06-040-00200	REAR TIRE ASSY,300-4 , R, W/O DRUM BRAKE	1SET
25	S06-026-00300	REAR TIRE ASS'Y,BLACK,L , W/I DRUM BRAKE	1SET
27	S07-067-00300	SEAT POST SET	1
28	S18-067-00100	WIRE HARNESS ASS'Y , W/I BUZZER, for 6mph	1SET
28	S18-067-00401	WIRE HARNESS ASS'Y , W/I BUZZER FOR PCB, for 8mph	1SET
29	S08-067-01711	DECORATION ASS'Y,RED 11, M4JRH	1
29	S08-067-01791	DECORATION ASS'Y,WHITE 91 , M4JRH	1
30	S07-076-00600	SEAT ASS'Y, 994 FISH ON(W/I ARMREST)	1SET
30	S07-076-00200	18" STANDARS SEAT ASS'Y, HEAD REST	1SET
31	S07-053-00100	ARMREST COMP. , L, for 8mph	1
32	S07-053-00300	ARMREST COMP. , R, for 8mph	1SET
33	C17-001-23402	BATTERY , U1	2
34		ACCESSORIES	
35		LABEL ACCESSORIES	



1. SPEED DIAL ASS'Y

Xenata S

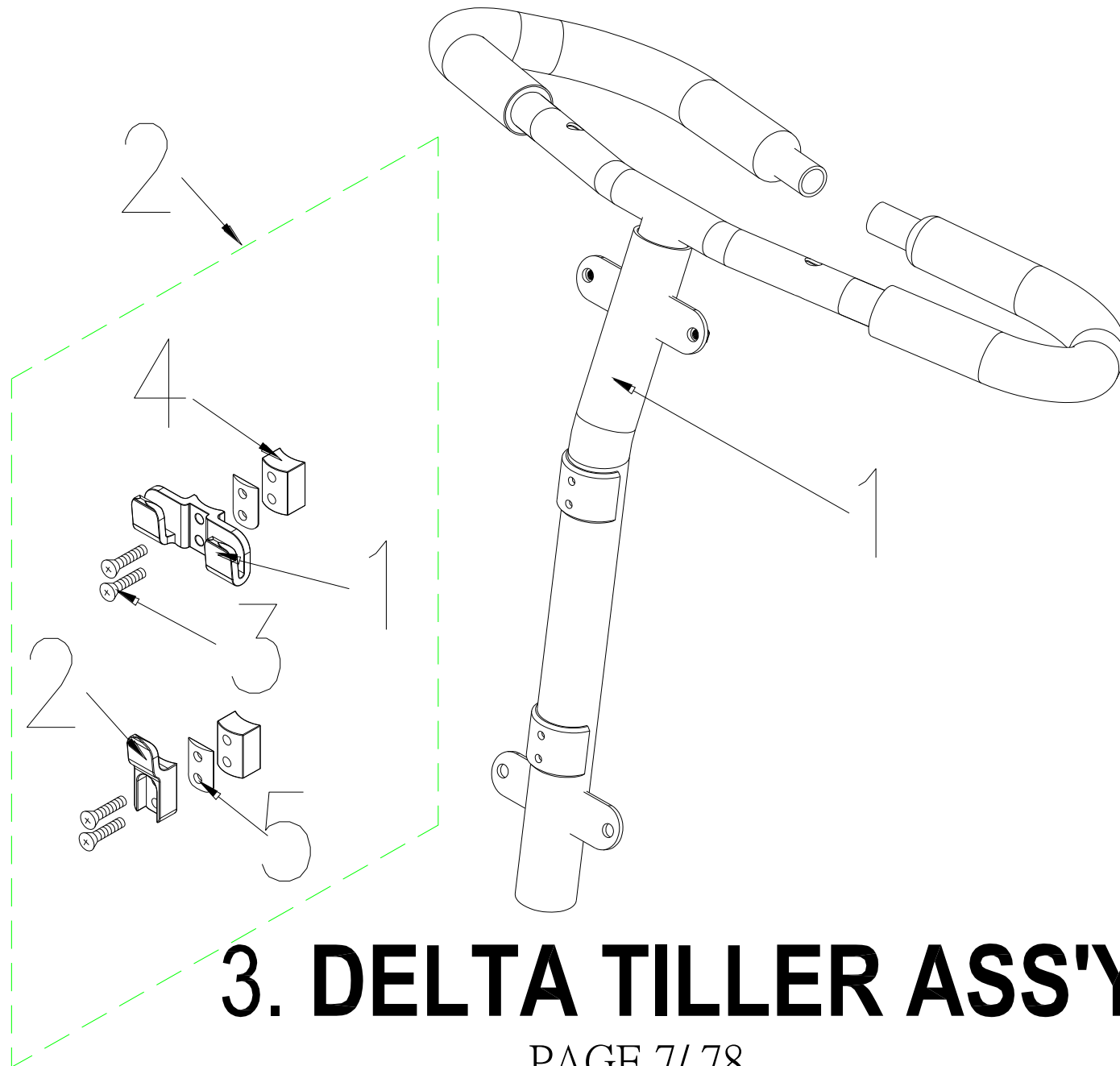
Fig&Index NO.	Parts No.	Parts Name	QTY
1	S12-067-00100	SPEED DIAL ASS'Y	1SET
1-1	C12-001-01401	SPEED LEVER COMP.	1
1-1	C12-001-01401	SPEED LEVER COMP.	1
1-2	C12-067-00100	SPEED LEVER	1
1-3	9358040040753	LOCKING SCREW,4x4	2
1-4	C12-001-00101	NUT	1
1-5	C12-001-00300	TORSION SPRING,SPEED LEVER	1
1-6	C12-001-00402	FIX PLATE,SPEED LEVER	1
1-7	C12-009-00700	HOLDER,SPEED LEVER	1
1-8	9004040120704	BOLT,M4x12L	2
1-9	C12-001-01501	SPEED LEVER COMP POSITION	1
1-10	9004030040504	BOLT,M3x4L	2



2. TILLER SWIVEL ASS'Y

Xenata S

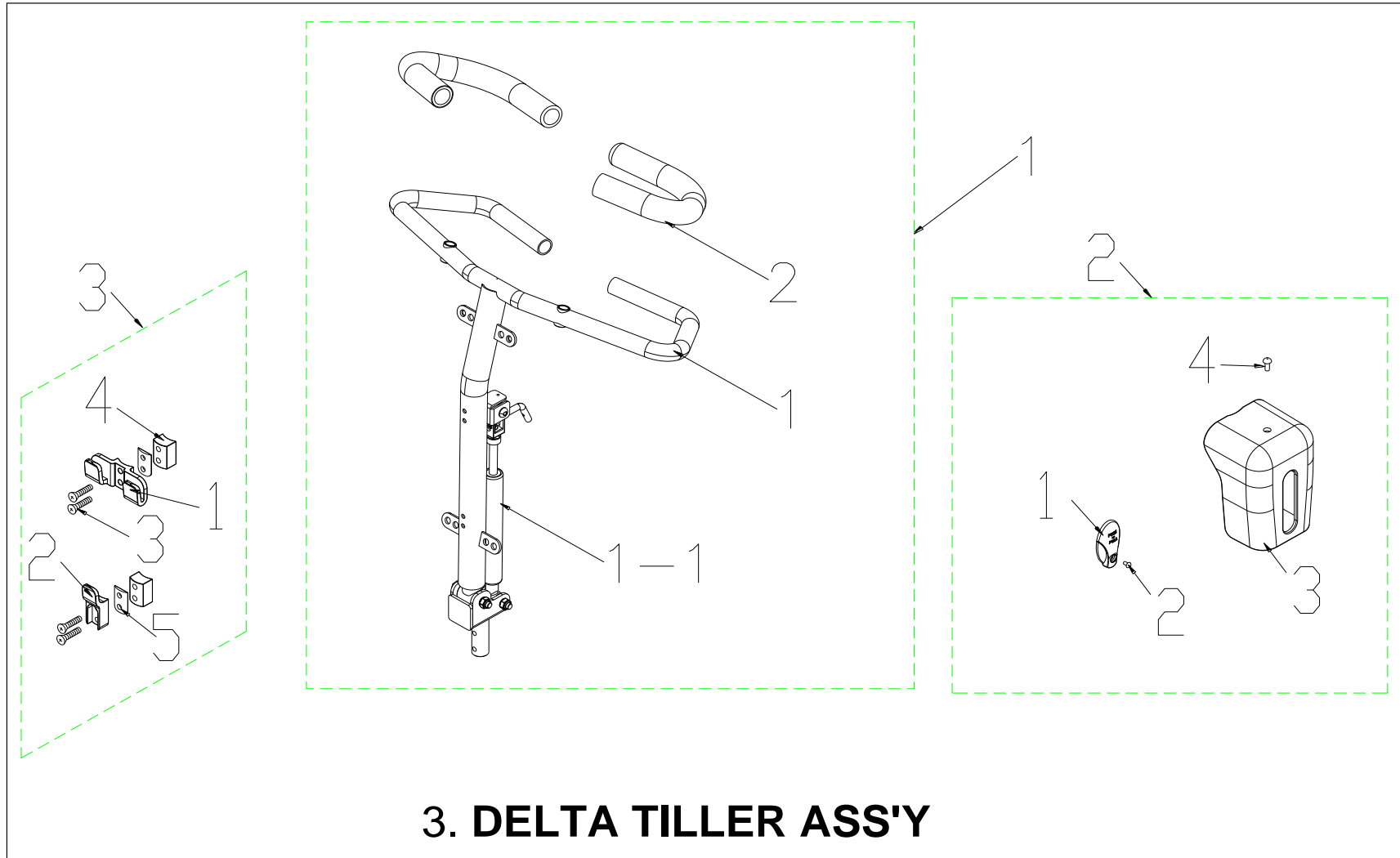
Fig&Index NO.	Parts No.	Parts Name	QTY
2	S02-067-00100	TILLER SWIVEL ASS'Y, M4JH6	1SET
2-1	C02-067-00200	TILLER SWIVEL ASS'Y	1
2-1-1	C02-009-00504	TILLER SWIVEL,UPPER	1
2-2	9035060451003	BOLT,M6X45(ED)	2
2-3	9035060351003	BOLT,M6X35(ED)	2
2-4	9250060100137	WASHER,M6	2
2-5	9201060601003	LOCK NUT,M6	4
2-6	9205060951003	CAP NUT,M6	2
2-7	C02-009-01400	WASHER	2
2-8	C25-001-00301	PLUG	1



3. DELTA TILLER ASS'Y

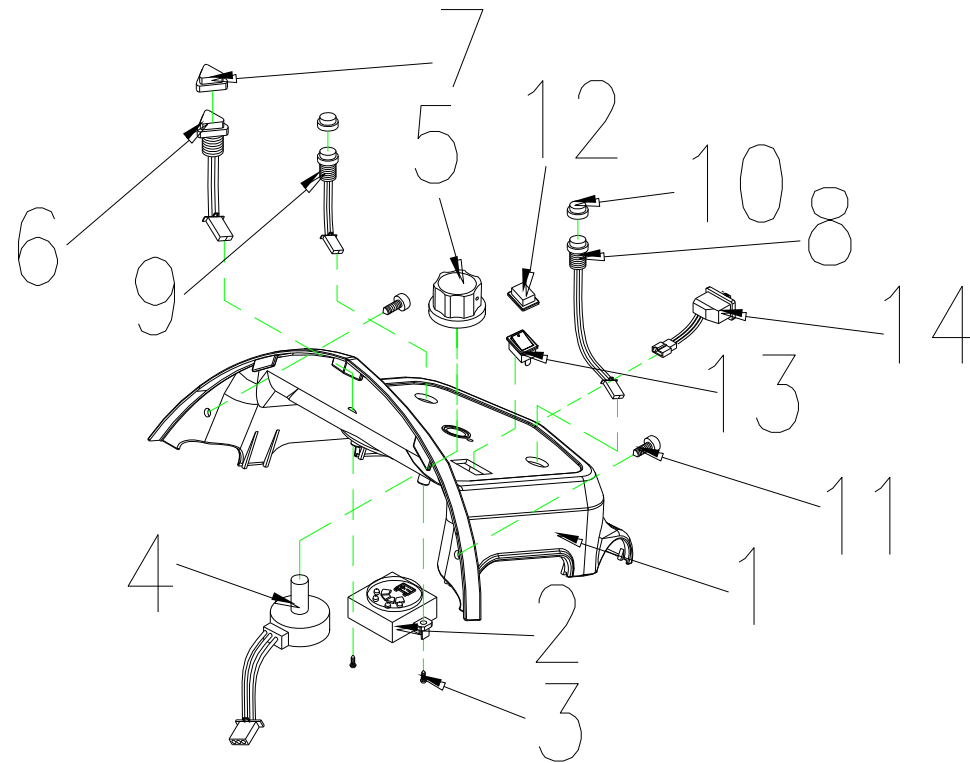
Xenata S

Fig&Index NO.	Parts No.	Parts Name	QTY	
3	S02-067-00200	DELTA TILLER ASS'Y, for M4JH6	1SET	
3-1	S02-067-00400	DELTA TILLER SET , W/ GRIP	1	
3-1-1	C02-067-00101	DELTA TILLER	1	
3-1-2	C20-067-00100	GRIP FOR DELTA BAR , 300mm	2	
3-2	S02-067-00300	BASKET HOLDER,PAINTED SET	1	
3-2-1	C26-009-01601	BASKET HOLDER,PAINTED,UPPER	1	
3-2-2	C26-009-01700	BASKET HOLDER,PAINTED,LOWER	1	
3-2-3	9005060401003	BOLT,M6x40L(ED)	4	
3-2-4	C26-027-00101	BASKET BRACKT HOLDER	2	
3-2-5	C26-045-00100	BASKET BRACKET PAD	2	



Xenata S

Fig&Index NO.	Parts No.	Parts Name	QTY	
3	S02-067-00500	DELTA TILLER ASS'Y, for M4JH8	1SET	
3-1	S02-067-00700	DELTA TILLER SET	1	
3-1-1	C02-067-00600	DELTA TILLER	1	
3-1-1-1	C02-029-00200	OIL PRESSURE STICK , 45KG	1	
3-1-2	C20-067-00100	GRIP FOR DELTA BAR , 300mm	2	
3-2	S02-067-00600	SHAFT , TILLER , W/I RAKE COVER SET	1	
3-2-1	C26-036-00100	SHAFT	1	
3-2-2	9005040080702	BOLT,M4x8L	1	
3-2-2	9005040080703	BOLT,M4x8L	1	
3-2-3	C08-067-02400	TILLER , W/I RAKE COVER	1	
3-2-4	9004030060504	BOLT,M3x6L	1	
	9004030040504	BOLT,M3x4L	1	
3-3	S02-067-00300	BASKET HOLDER,PAINTED SET	1	
3-3-1	C26-009-01601	BASKET HOLDER,PAINTED,UPPER	1	
3-3-2	C26-009-01700	BASKET HOLDER,PAINTED,LOWER	1	
3-3-3	9005060401003	BOLT,M6x40L(ED)	4	
3-3-4	C26-027-00101	BASKET BRACKT HOLDER	2	
3-3-5	C26-045-00100	BASKET BRACKET PAD	2	

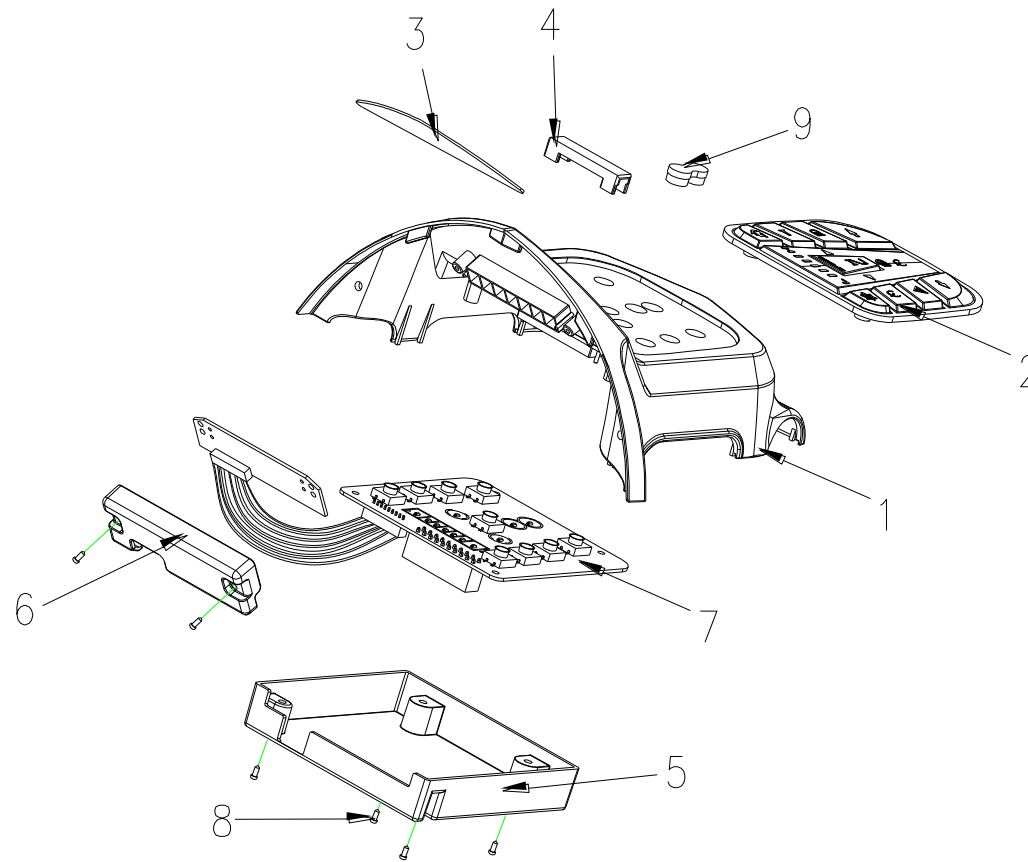


4. COVER ASS'Y , HANDLE BAR , UPPER

Xenata S

Fig&Index NO.	Parts No.	Parts Name	QTY	
4	S08-067-00800	COVER , HANDLE BAR ASS'Y, for M4JH6	1SET	
4-1	C08-067-02000	COVER , HANDLE BAR	1	
4-2	C11-045-00105	BATTERY INDICATOR	1	
4-3	9011030080502	BOLT,M3x8L	2	
4-4	C11-001-00700	SPEED DIAL COMP.	1	
4-4	C11-001-00700V	SPEED DIAL COMP.	1	
4-5	C26-009-00200	SPEED ADJUST,JK-901C	1	
4-6	C16-005-00101	SWITCH , EMERGENCY	1	
4-7	C26-022-00200	BUTTON COVER, WATER PROOF , WARING	1	
4-8	C16-001-10500	SWITCH , HEADLAMP	1	
4-9	C16-001-10200	SWITCH , HORN	1	
4-10	C26-036-00200	BUTTON COVER, WATER PROOF , HORN	2	
4-11	9011040200003	BOLT , M4X20(ED)	4	
4-12	C26-022-00400	BUTTON COVER, WATER PROOF , INDOOR/OUTDOOR	1	
4-13	C16-001-10300	SWITCH , INDOOR/OUTDOOR	1	
4-14	C16-022-00800	SWITCH , SIGNAL LAMP	1	
no show	C27-067-00600	DASHBOARD LABEL	1	

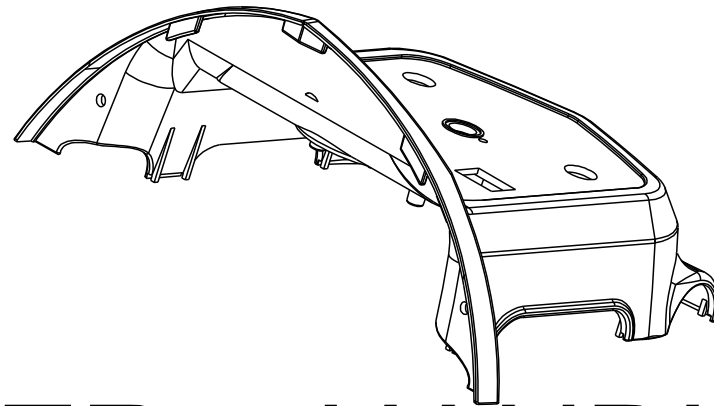
Xenata S



4. COVER ASS'Y , HANDLE BAR , UPPER

Xenata S

Fig&Index NO.	Parts No.	Parts Name	QTY	
4	S10-067-00300	COVER , HANDLE BAR ASS'Y, for M4JH8	1SET	
4-1	C08-067-02700	COVER , HANDLE BAR	1	
4-2	C10-051-00601	CONTROL PANEL BUTTON	1	
4-3	C10-067-00700	BATTERY INDICATOR	1	
4-4	C26-051-00200	SPEED INDICATOR PAD	1	
4-5	C08-067-02500	COVER , PCB	1	
4-6	C08-067-02600	COVER , BATTERY INDICATOR	1	
4-7	C10-051-00507	CONTROL PANEL BOARD	1	
4-8	9011030080502	BOLT,M3x8L	6	
4-9	C26-051-00301	FRONT/REAR LIGHT DISPLAY PAD	1	

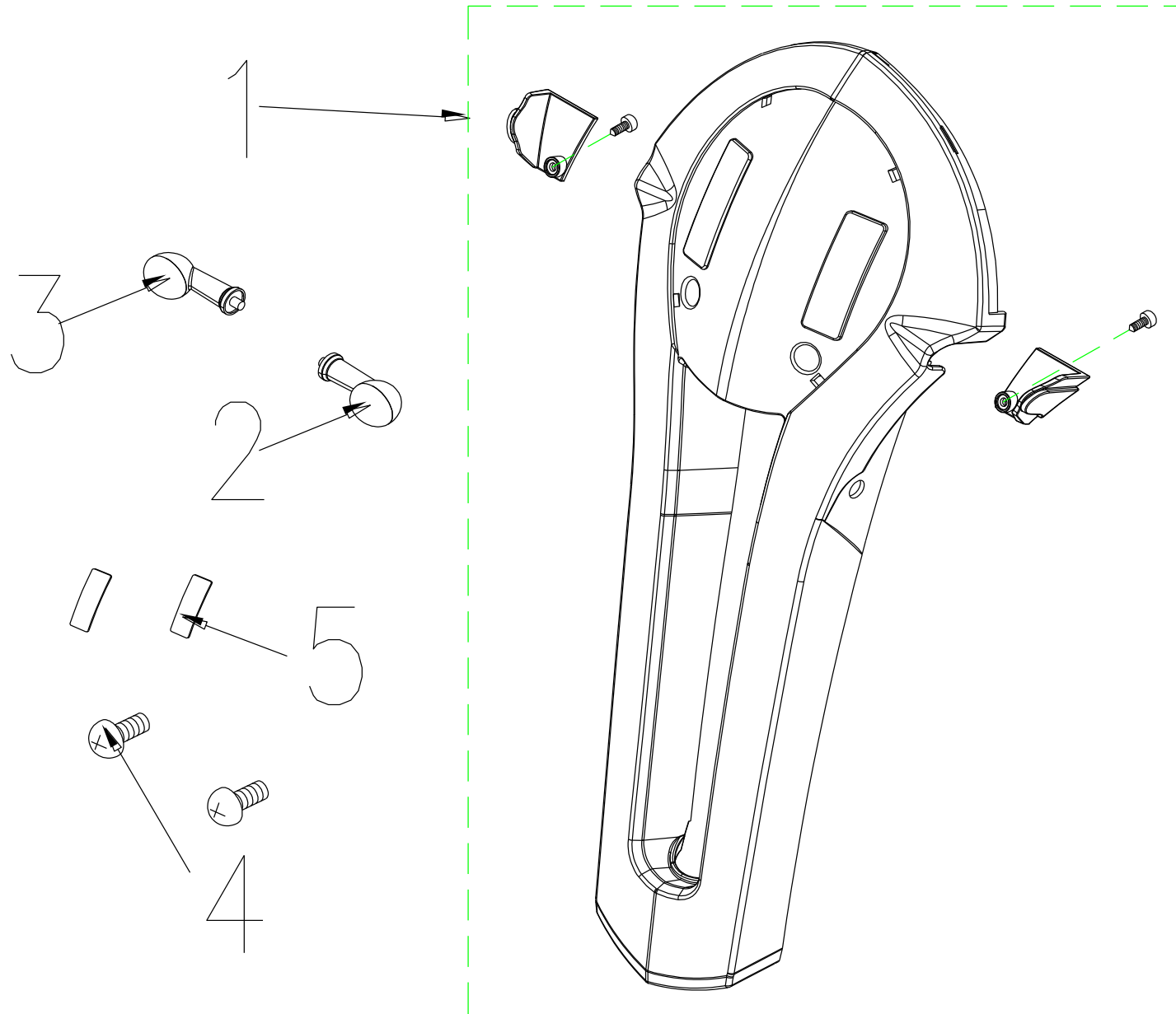


**4.COVER , HANDLE BAR ,
UPPER ,W/I LABEL**

Xenata S

Fig&Index NO.	Parts No.	Parts Name	QTY	
4	S08-067-01900	COVER , HANDLE BAR, UPPER, W/I LABEL, M4JH6	1	
4-1	C08-067-02000	COVER , HANDLE BAR	1	
4-2	C27-067-00601	LABEL , CONTROL PANEL	1	

Xenata S

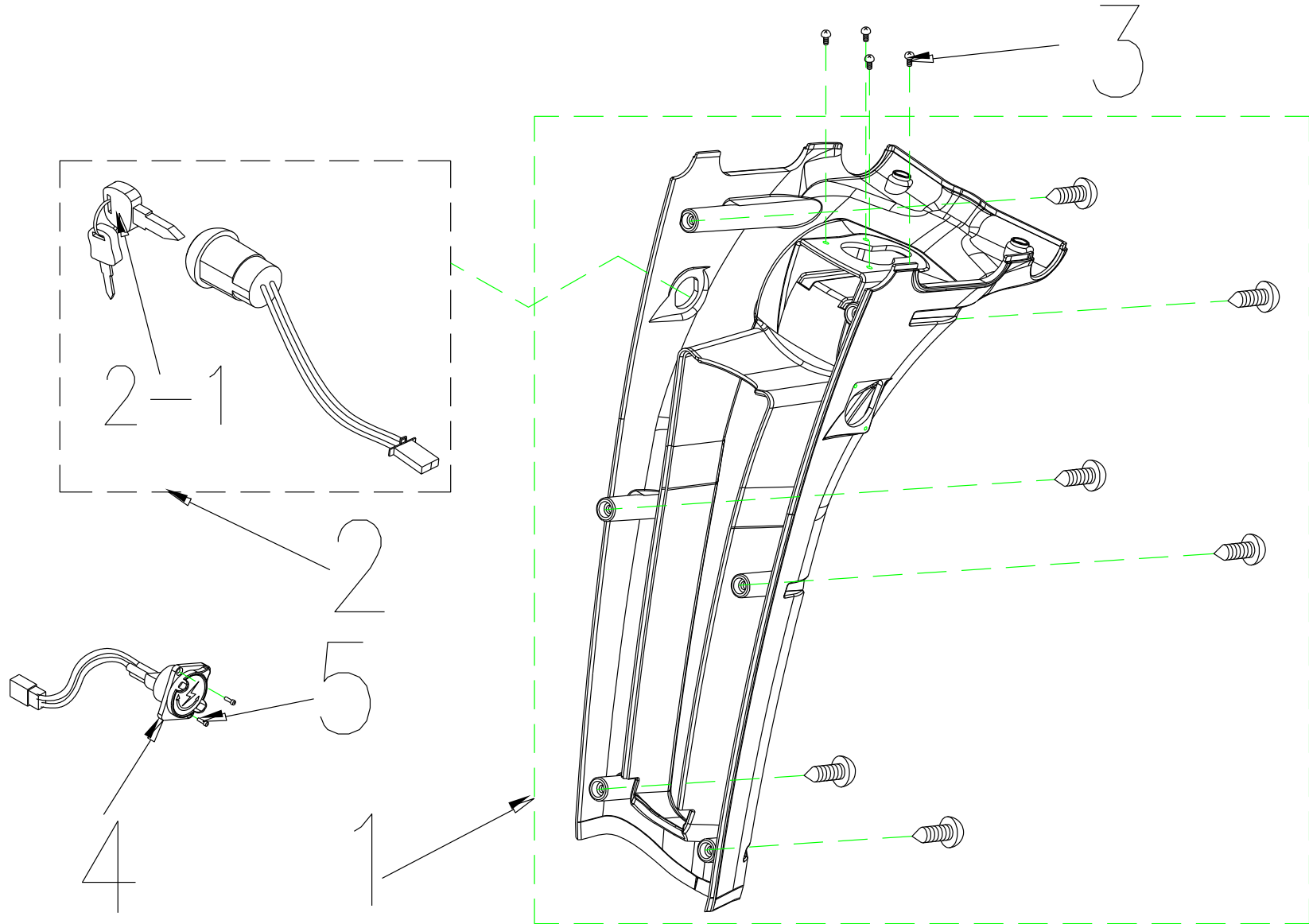


5.FRONT COVER ASSY, 1.HAND BAR

Xenata S

Fig&Index NO.	Parts No.	Parts Name	QTY	
5	S08-067-00900	FRONT COVER ASS'Y · W/O DECORATION, M4JH8	1	
5-1	S08-067-02000	FRONT COVER ASS'Y · W/I RAKE COVER	1	
5-1-1	C08-067-01500	FRONT COVER , HAND BAR	1	
5-1-2	C08-067-01700	COVER , BRAKE , R	1	
5-1-3	9011350150004	BOLT M3.5X15L	1	
5-1-4	C08-067-01600	COVER , BRAKE , L	1	
5-2	C16-036-00101	FRONT SIGNAL LAMP , L	1	
5-3	C16-036-00201	FRONT SIGNAL LAMP , R	1	
5-4	9004060151002	BOLT M6X15L	2	
5-5	C33-001-00100	SPONGE ADHESIVE	2	

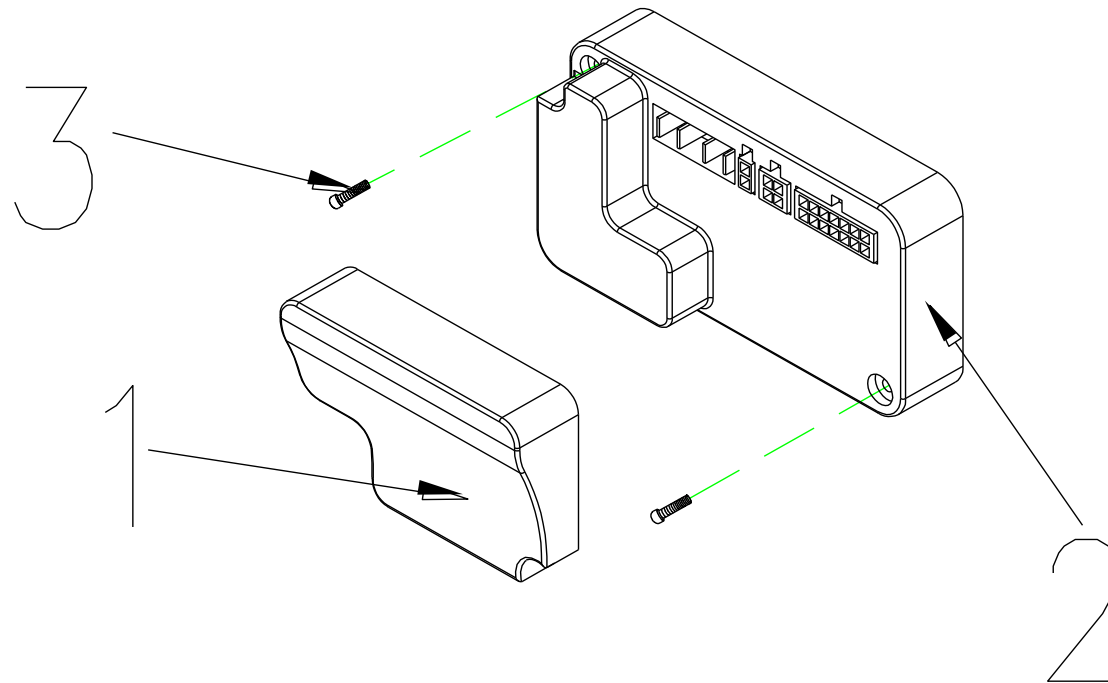
Xenata S



6. REAR COVER ASS'Y, HAND BAR
PAGE 19/ 78

Xenata S

Fig&Index NO.	Parts No.	Parts Name	QTY
6	S08-067-00400	REAR COVER ASS'Y , HAND BAR · W/I IGNITION SWITCH, M4JH6	1
6-1	S08-067-02100	REAR COVER , HAND BAR SET , W/O IGNITION SWIITCH	1
6-1-1	C08-067-01800	REAR COVER , HAND BAR	1
6-1-2	9011040200003	BOLT M34X820L(ED)	6
6-2	C18-001-01501	IGNITION SWIITCH ASS'Y	1
6-2-1	C37-001-02300	KEY	1
6-3	9004030080504	BOLT M3X8L	4
6-4	C12-051-00200	CHARGER SOCKET ASS'Y	1
6-5	9014250080002	CR PAN HD SCREW , M2.5x8L	1
6	S08-067-02400	REAR COVER ASS'Y , HAND BAR · W/I IGNITION SWITCH, M4JH8	1
6-1	S08-067-02500	REAR COVER , HAND BAR SET , W/O IGNITION SWIITCH	1
6-1-1	C08-067-02301	REAR COVER , HAND BAR	6
6-1-2	9011040200003	BOLT M34X820L(ED)	1
6-2	C18-067-01400	IGNITION SWIITCH ASS'Y	1
6-2-1	C18-067-01500	KEY	1
6-3	9004030080504	BOLT M3X8L	4
6-4	C12-051-00200	CHARGER SOCKET ASS'Y	1
6-5	9014250080002	CR PAN HD SCREW , M2.5x8L	1



7. CONTROLLER ASS'Y

Xenata S

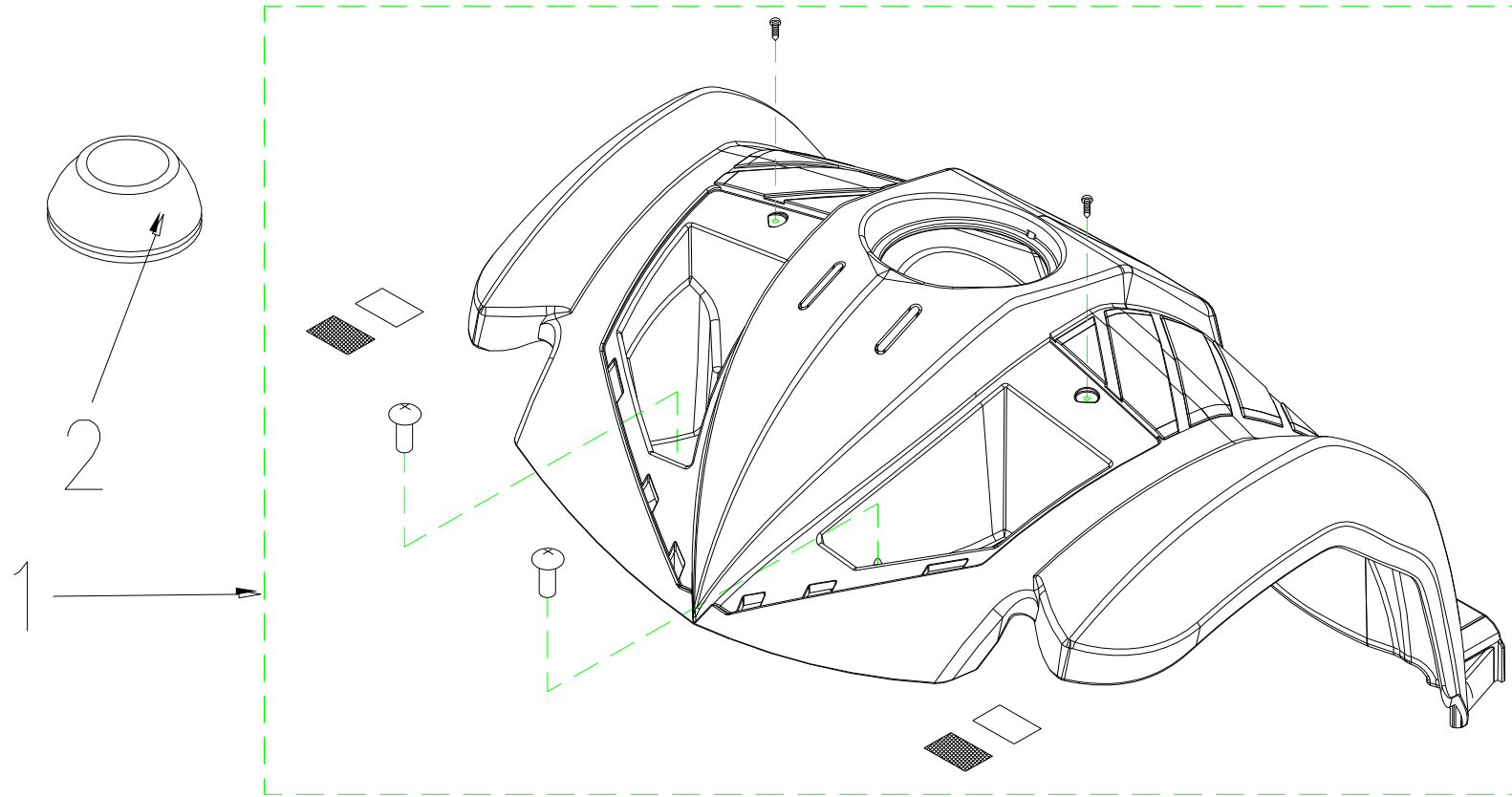
Fig&Index NO.	Parts No.	Parts Name	QTY	
7	S10-067-00100	CONTROLLER ASS'Y , P&G 70A , W/I COVER, for M4JH6	1	
7-1	C10-067-00400	COVER , CONTROLLER , FOR P&G 70/90A	1	
7-2	C10-067-00200	CONTROLLER , P&G 70A	1	
7-3	9004040300705	BOLT , M4X30	2	
7	S10-067-00200	CONTROLLER ASS'Y , P&G 120A , W/I COVER, for M4JH8	1	
7-1	C10-051-00200	COVER , CONTROLLER , FOR P&G 120A	1	
7-2	C10-067-00300	CONTROLLER , P&G 120A	1	
7-3	9004040300705	BOLT , M4X30	2	



8.VELCRO STRIP,BATTERY

Xenata S

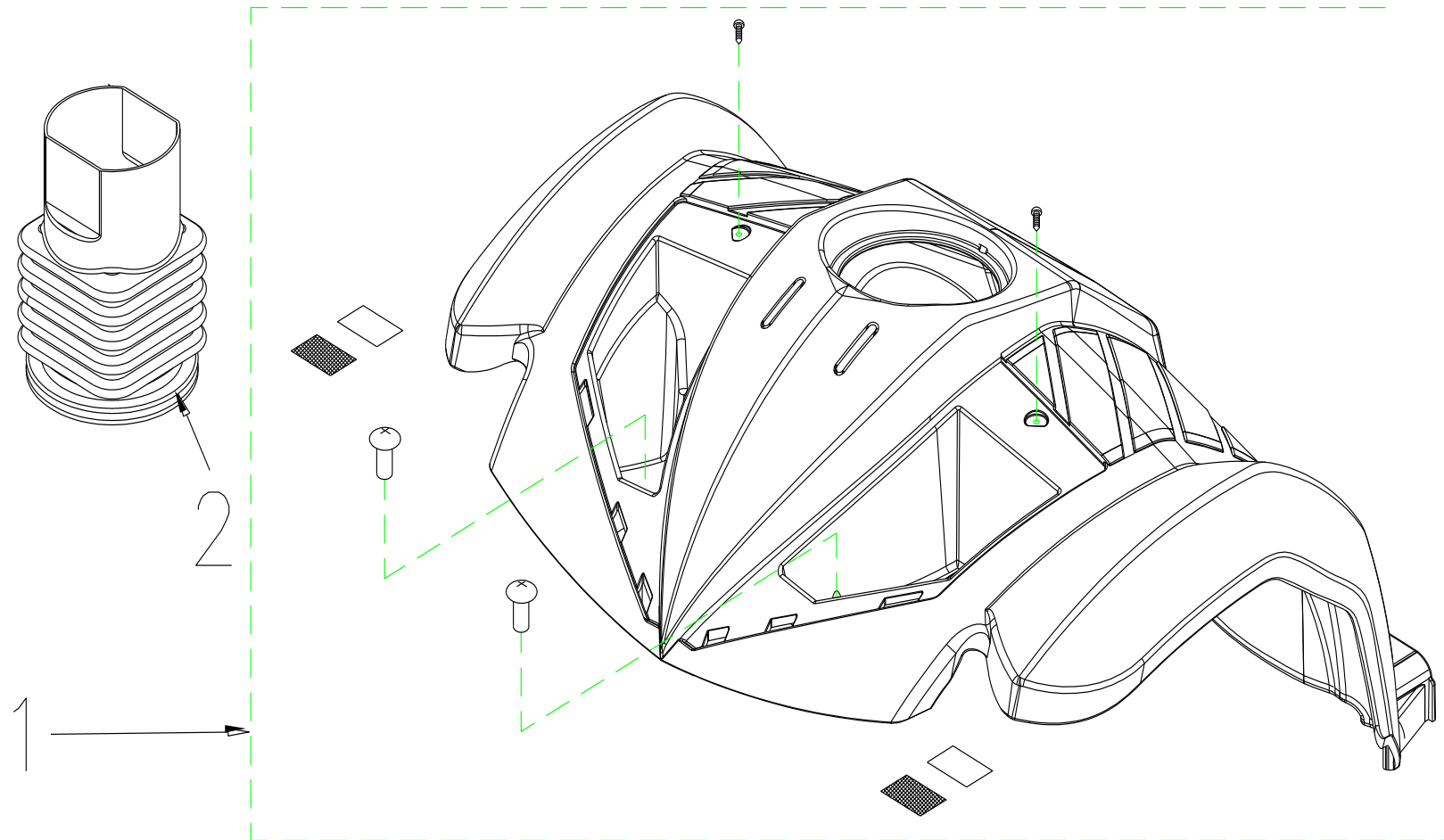
Fig&Index NO.	Parts No.	Parts Name	QTY	
8	S34-067-00100	VELCRO STRIP SET , BATTERY	1	
8-1	C07-001-90100	VELCRO STRIP , BATTERY	2	



9. FRONT SHROUD ASS'Y

Xenata S

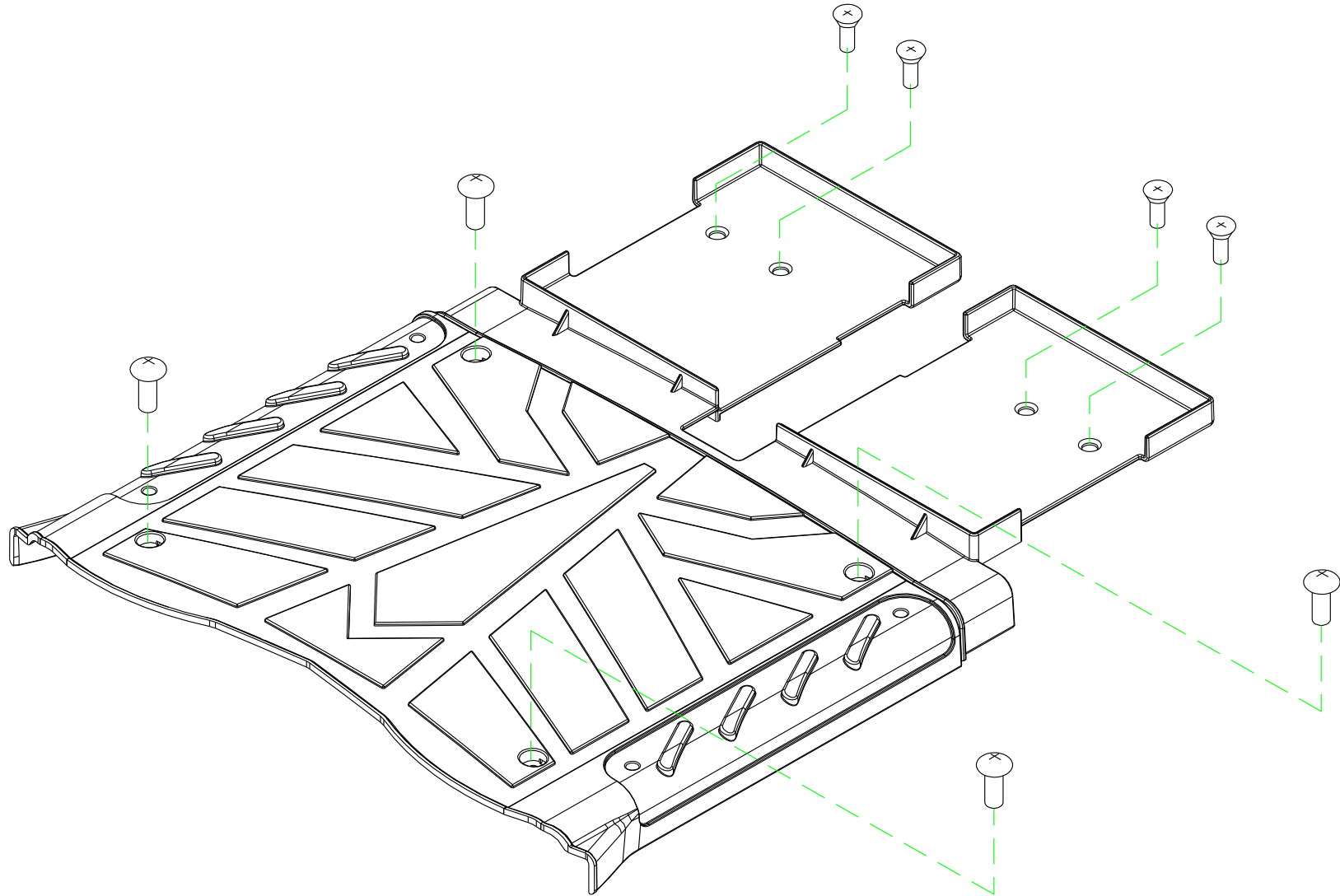
Fig&Index NO.	Parts No.	Parts Name	QTY	
9	S08-067-00200	FRONT SHROUD ASS'Y , BLACK , W/I RUBBER COVER, for M4JH6	1SET	
9-1	S08-067-02200	FRONT SHROUD ASS'Y , BLACK , W/O RUBBER COVER	1	
9-1-1	C08-067-00200	FRONT SHROUD,BLACK	1	
9-1-2	9011040200003	BOLT M4X20L(ED)	2	
9-1-3	9004060151002	BOLT M6X15L	2	
9-1-4	C31-001-00900	VELCRO STRIP, LOOP , 20	2	
9-1-5	C31-001-00800	VELCRO STRIP, HOOK , 20	2	
9-2	C25-001-90101	RUBBER COVER , FRONT SHROUD	1	



9. FRONT SHROUD ASS'Y

Xenata S

Fig&Index NO.	Parts No.	Parts Name	QTY	
9	S08-067-02300	FRONT SHROUD ASS'Y , BLACK , W/I RUBBER COVER, for M4JH8	1SET	
9-1	S08-067-02200	FRONT SHROUD ASS'Y , BLACK , W/O RUBBER COVER	1	
9-1-1	C08-067-00200	FRONT SHROUD,BLACK	1	
9-1-2	9011040200003	BOLT M4X20L(ED)	2	
9-1-3	9004060151002	BOLT M6X15L	2	
9-1-4	C31-001-00900	VELCRO STRIP, LOOP , 20	2	
9-1-5	C31-001-00800	VELCRO STRIP, HOOK , 20	2	
9-2	C25-067-00101	RUBBER COVER , FRONT SHROUD	1	

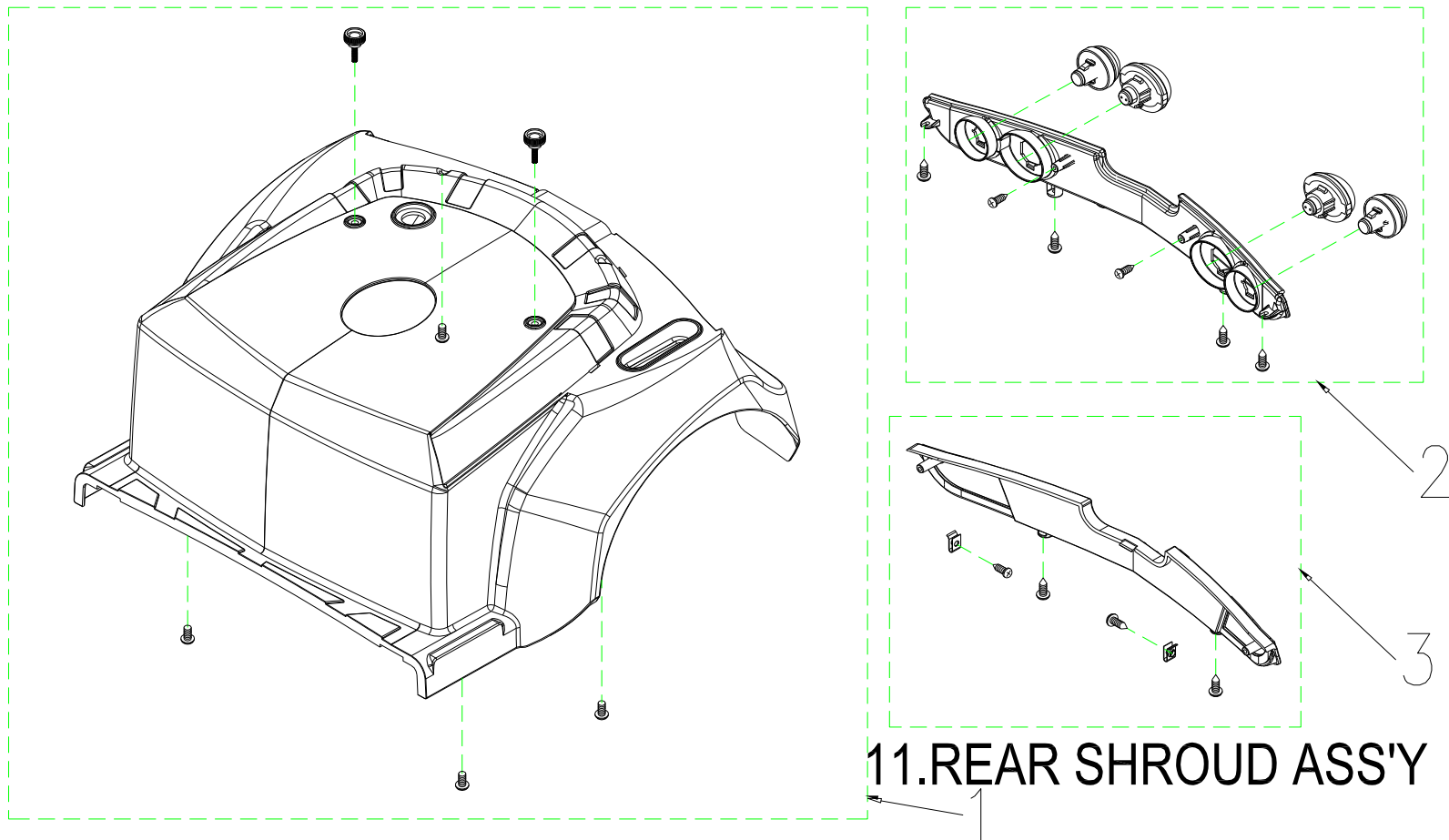


10.SHROUD , FOOTREST ASS'Y

Xenata S

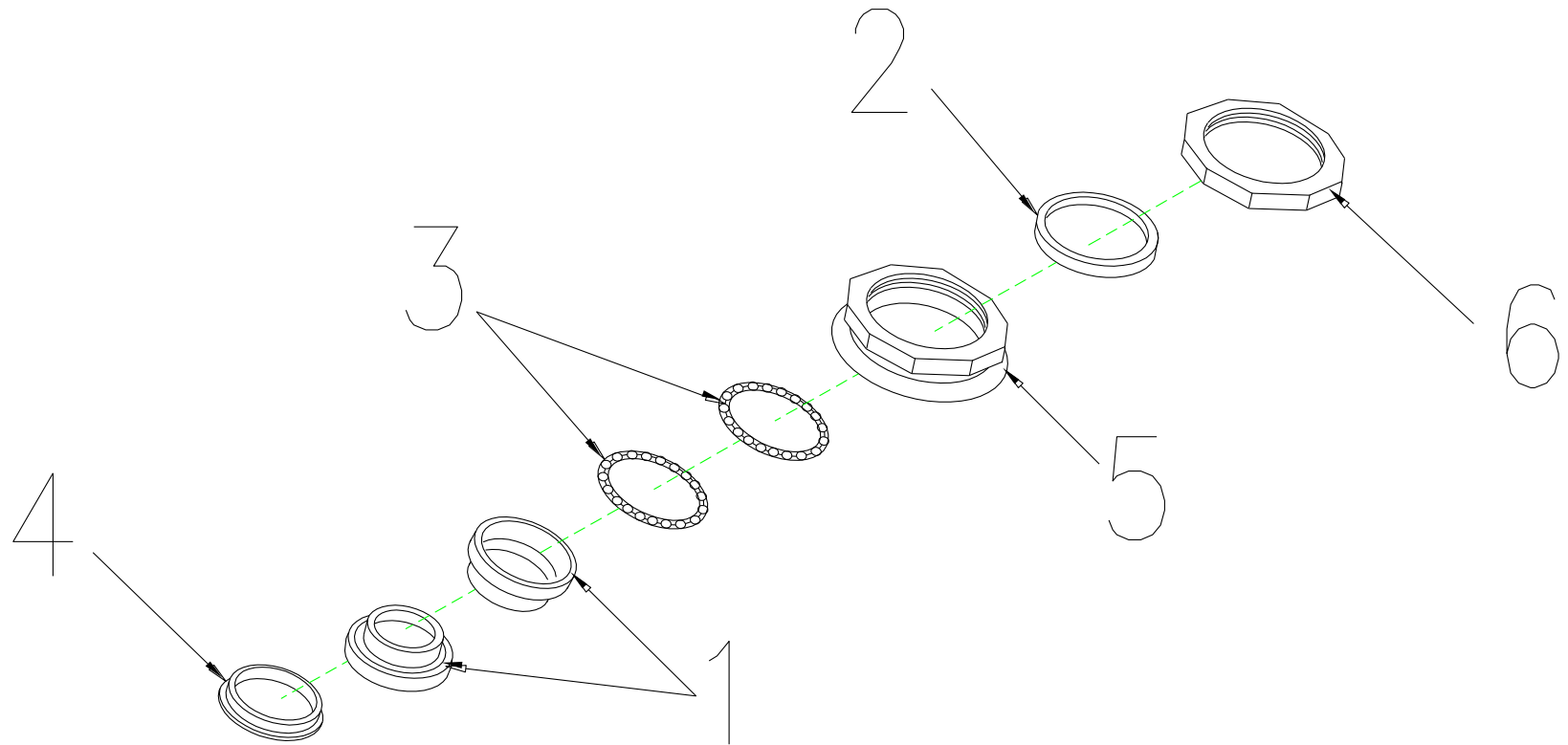
Fig&Index NO.	Parts No.	Parts Name	QTY	
10	S08-067-00500	SHROUD , FOOTREST ASS'Y	1	
10-1	C08-067-02100	SHROUD , FOOTREST	1	
10-2	9005060201002	BOLT M6X20L	4	
10-3	9010060151002	BOLT M6X15L	4	

Xenata S



Xenata S

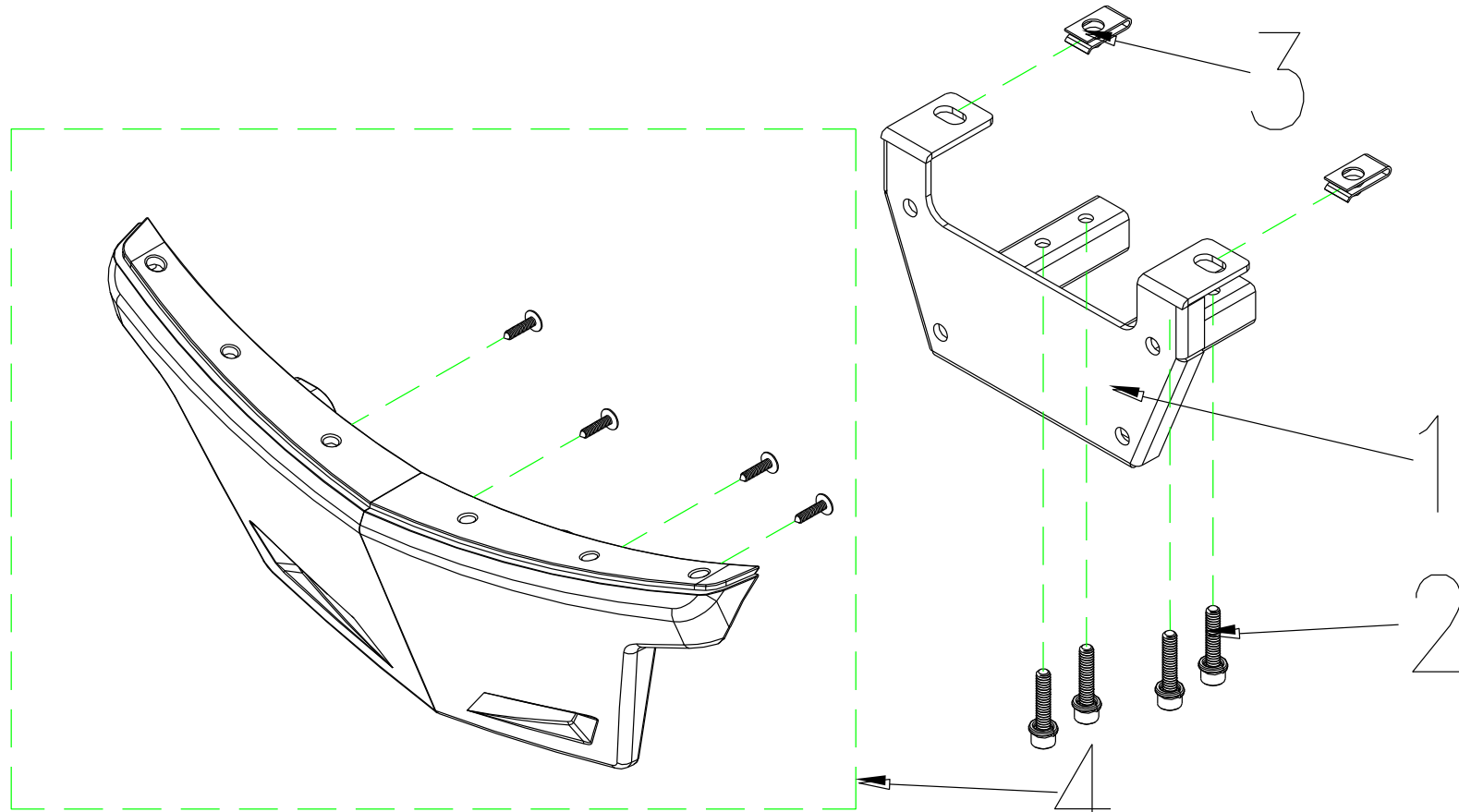
Fig&Index NO.	Parts No.	Parts Name	QTY	
11	S08-067-01000	REAR SHROUD ASSY' , W/O LABEL , RED11	1SET	
11-1	S08-067-01200	REAR SHROUD , BLACK , ASS'Y	1	
11-1-1	C08-067-00700	REAR SHROUD , BLACK	1	
11-1-2	C26-067-00100	PLASTIC SCREW, M6x20L	2	
11-1-3	9011040200003	BOLT M4X20L	4	
11-2	S08-067-01500	REAR LIGHTS HOLDER PLATE SET , W/I LAMP	1	
11-2-1	C08-067-01100	REAR LIGHTS HOLDER PLATE	1	
11-2-2	C14-023-00101	REAR LAMP	2	
11-2-3	C15-067-00100	REAR SIGNAL LAMP , L	1	
11-2-4	C15-067-00200	REAR SIGNAL LAMP , R	1	
11-2-5	9029040120002	BOLT M4X12L	6	
11-3	S08-067-01600	REAR SPOILER SET	1	
11-3-1	9237040000003	U-TYPE SPRING NUT , M4	2	
11-3-2	C08-067-01400	REAR SPOILER	1	
11-3-3	9029040120002	BOLT M4X12L	4	



12.REGULAR BEARING BALL SET

Xenata S

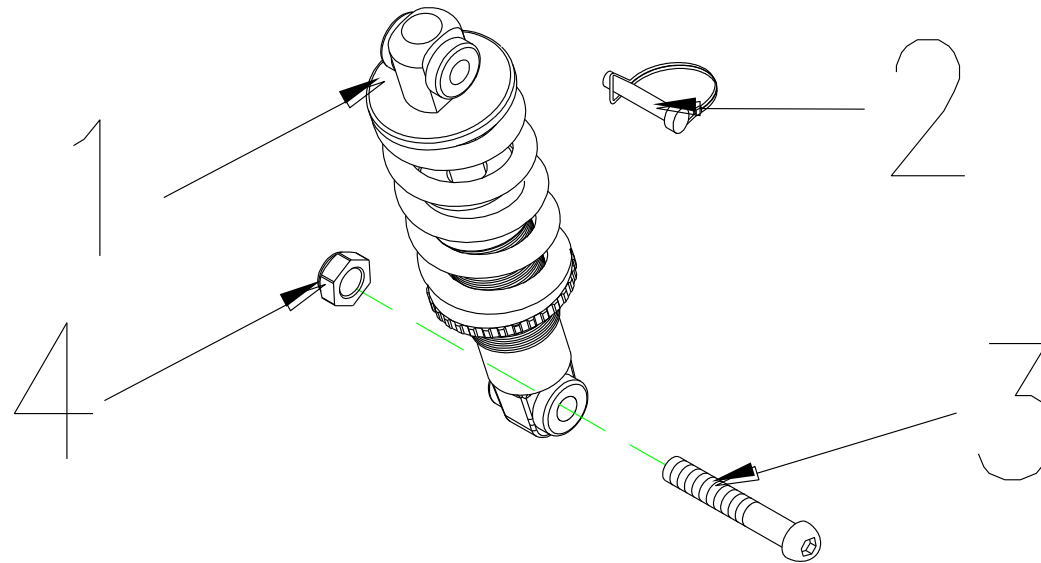
Fig&Index NO.	Parts No.	Parts Name	QTY
12	S02-001-00601	REGULAR BEARING BALL SET	1SET
12-1	C29-001-10101	CUP , UPPER	1
12-2	9214290300353	COLLARLESS WASHER	1
12-3	C29-001-10200	BEARING	2
12-4	C29-001-10301	BEARING CAGE	1
12-5	C29-001-10401	BEARING BUSH	1
12-6	C29-001-10501	LOCKING NUT , BEARING	1



13.FRONT BUMPER ASS'Y

Xenata S

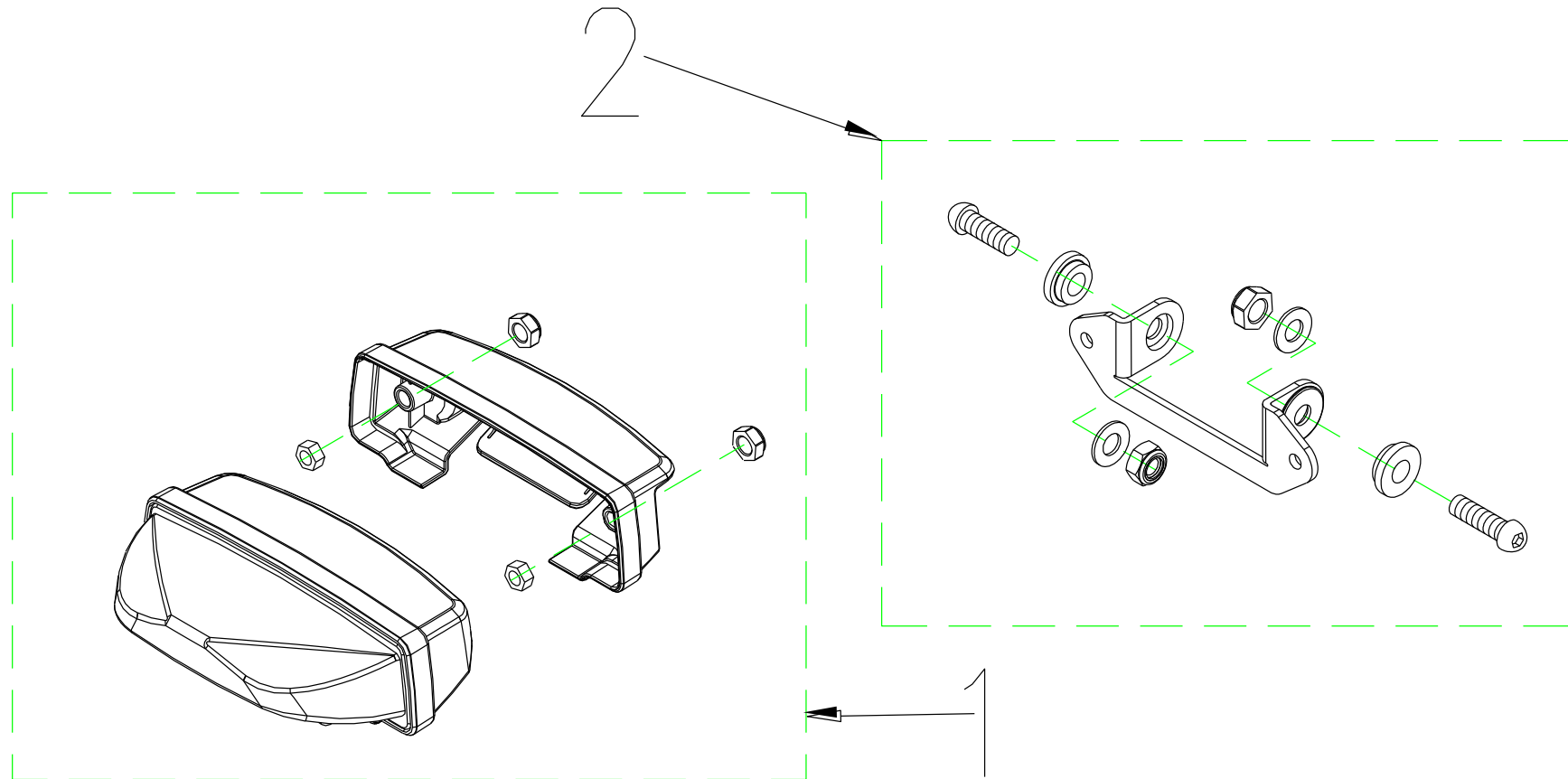
Fig&Index NO.	Parts No.	Parts Name	QTY	
13	S01-067-00100	FRONT BUMPER ASS'Y	1	
13-1	C01-067-00501	FRONT BUMPER (ED)	1	
13-2	9021060301003	BOLT M6X30L	4	
13-3	9237060000001	U-TYPE SPRING NUT , M6	2	
13-4	S08-067-01100	FRONT BUMPER ASS'Y , PLACTIC	1	
13-4-1	C08-067-00100	FRONT BUMPER , PLACTIC	1	
13-4-2	9029040200002	BOLT M4X20L(ED)	4	



14.ABSORBER ASS'Y

Xenata S

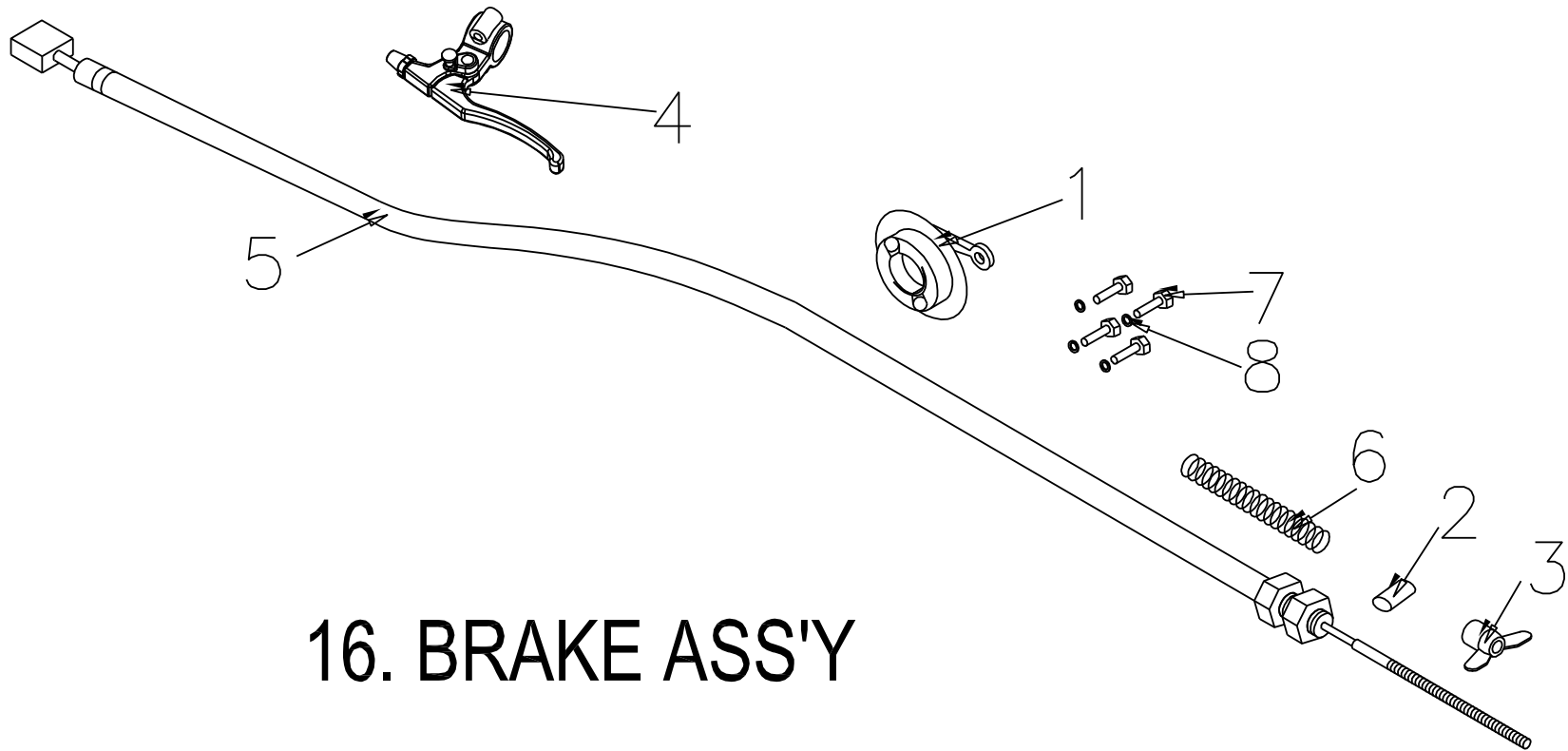
Fig&Index NO.	Parts No.	Parts Name	QTY	
14	S04-067-00100	ABSORBER ASS'Y , 250LBS	1	
14-1	C04-067-00200	ABSORBER ,250LBS	1	
14-2	C01-005-00700	PIN LOCK , M8x41L	1	
14-3	9035080451251	HEX FLANGE BOLT,M8x45L	1	
14-4	9201080801252	LOCK NUT , M8	1	



15.HEADLIGHT ASS'Y

Xenata S

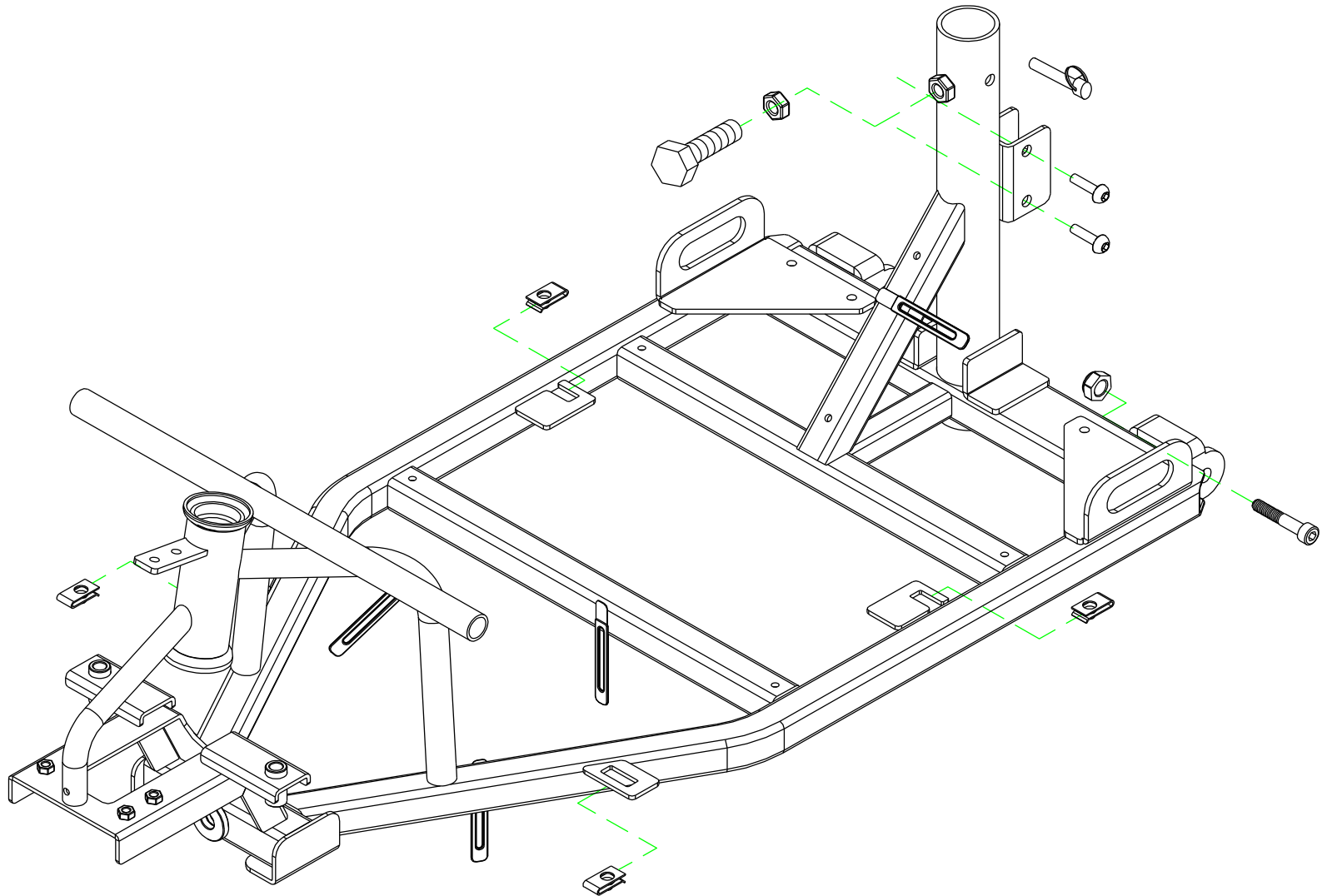
Fig&Index NO.	Parts No.	Parts Name	QTY
15	S13-067-00100	HEADLIGHT ASS'Y , W/I HOLDER	1
15-1	S13-067-00300	HEADLIGHT ASS'Y , TL001	1
15-1-1	C13-067-00300	HEADLIGHT , TL001	1
15-1-2	C08-067-02200	COVER , HEADLIGHT	1
15-1-3	9205060951003	NUT , M6	2
15-1-4	9202060501003	NUT , M6	2
15-2	S13-067-00200	HOLDER , HEADLIGHT , SET	1
15-2-1	C07-044-01701	WASHER 8mm	2
15-2-2	9032080201253	BOLT , M8X20L(ED)	2
15-2-3	9214080200313	WASHER M8	2
15-2-4	9201080801252	LOCK NUT M8	2
15-2-5	C13-067-00102	HOLDER , HEADLIGHT	1



16. BRAKE ASS'Y

Xenata S

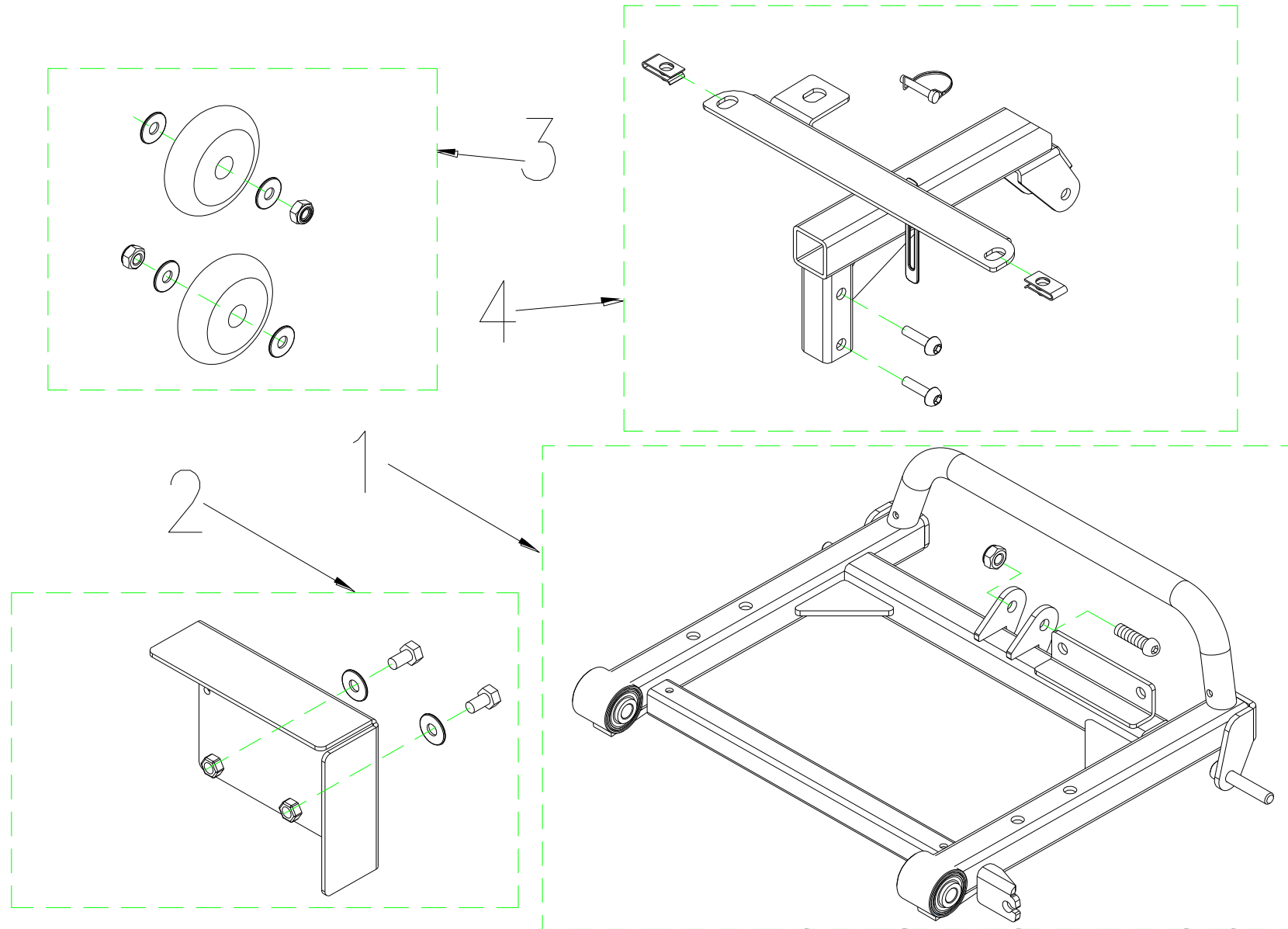
Fig&Index NO.	Parts No.	Parts Name	QTY	
16	S35-067-00100	BRAKE ASS'Y, M4JH8	1	
16-1	C06-005-00301	COVER BRAKE,REAR	1	
16-2	C35-005-00500	PIN,BRAKE	1	
16-3	C35-005-01000	NUT,BRAKE	1	
16-4	C35-036-00200	LEVER,BRAKE	1	
16-5	C35-067-00101	LINE,BRAKE	1	
16-6	C35-067-00200	SPRING,BRAKE	1	
16-7	9002060101003	BOLT,M6x10	1	
16-8	9211060150102	SPRING WASHER , M6	1	



17. FRAME, FRONT SECTION ASS'Y

Xenata S

Fig&Index NO.	Parts No.	Parts Name	QTY
17	S01-067-00200	FRAME,FRONT SECTION ASS'Y	1SET
17-1	C01-067-00102	FRAME,FRONT SECTION	1
17-2	9237060000001	U-TYPE SPRING NUT,M6	4
17-3	9035100651503	BOLT , M8x30L	2
17-4	9201101001502	NUT M10XP1.5	2
17-5	C01-001-10501	PIN , M8X50	1
17-6	9027060301256	HEX BOLT , M8xP1.25x30L	2
17-7	9002100201251	HEX FLANGE BOLT , M10x20L	1
17-8	9202100601252	NUT M10XP1.25	1

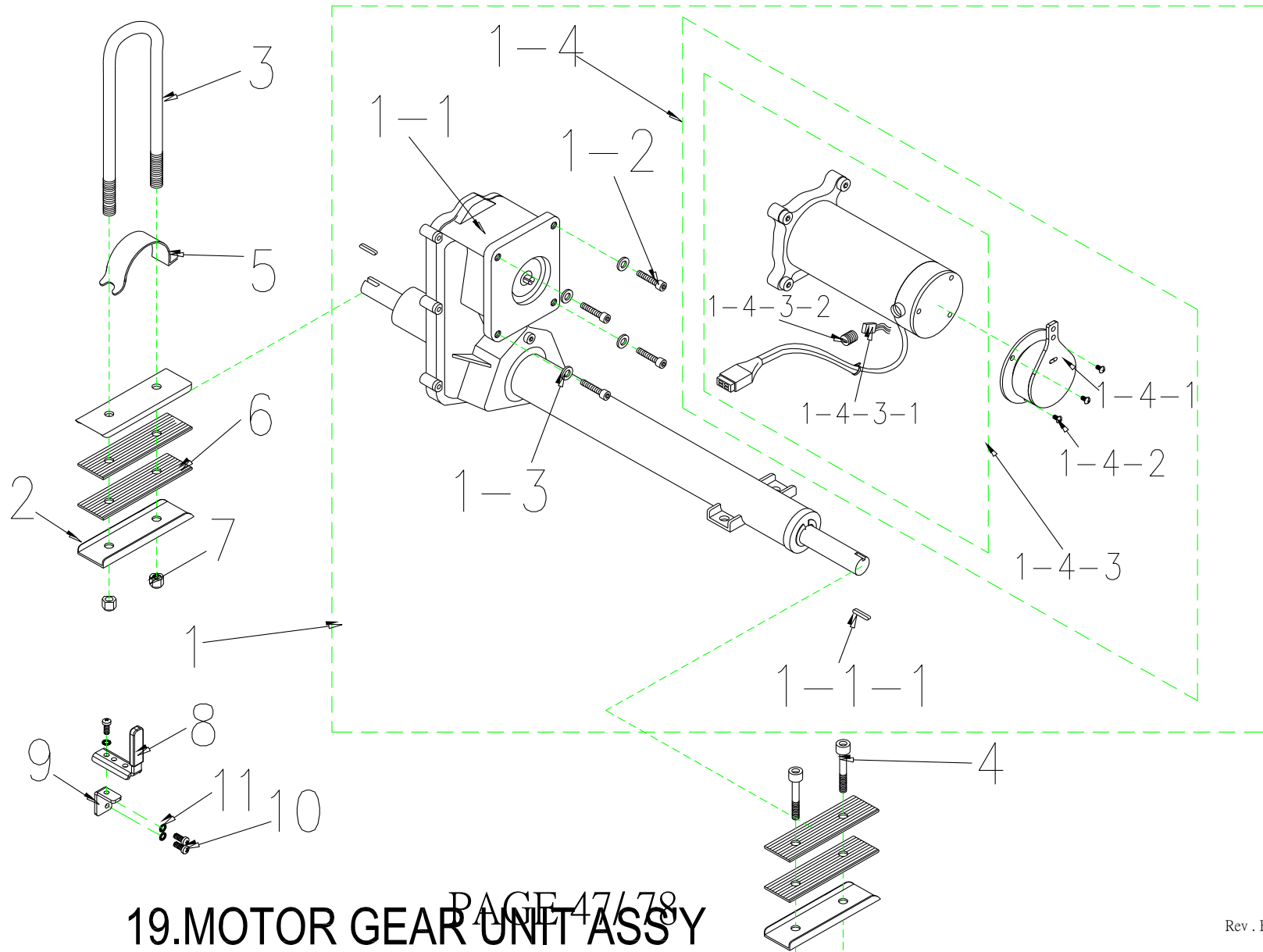


18. FRAME REAR SECTION ASS'Y

Xenata S

Fig&Index NO.	Parts No.	Parts Name	QTY
18	S01-067-00300	FRAME,REAR SECTION ASS'Y , W/I HOLDER	1SET
18-1	S01-067-00600	FRAME , REAR SECTION SET ,	1
18-1-1	C01-067-00202	FRAME , REAR SECTION	1
18-1-2	9035080451251	BOLT , M8X45L	1
18-1-3	9201080801252	LOCK NUT , M8	2
18-2	S01-067-00400	HOLDER , CONTROLLER ASS'Y	1
18-2-1	C10-067-00102	HOLDER , CONTROLLER	1
18-2-2	9001080201251	CR ROUND HD SCREW,M8x20L	2
18-2-3	9214080150232	WASHER-5/16	2
18-3	S28-067-00100	ANT-TIP WHEELS ASS'Y	1
18-3-1	C28-067-00100	ANT-TIP WHEELS	2
18-3-2	9201080801252	LOCK NUT , M8	2
18-3-3	9214080150232	WASHER-5/16	4
18-4	S01-067-00500	REAR BRACKET,SHROUD ASS'Y	1
18-4-1	C01-067-00402	REAR BRACKET,SHROUD	1
18-4-2	9027060301256	HEX BOLT , M8xP1.25x30L	2
18-4-3	9237060000001	U-TYPE SPRING NUT , M6	2
18-4-4	C01-005-00700	PIN LOCK , M8x41L	1

Xenata S



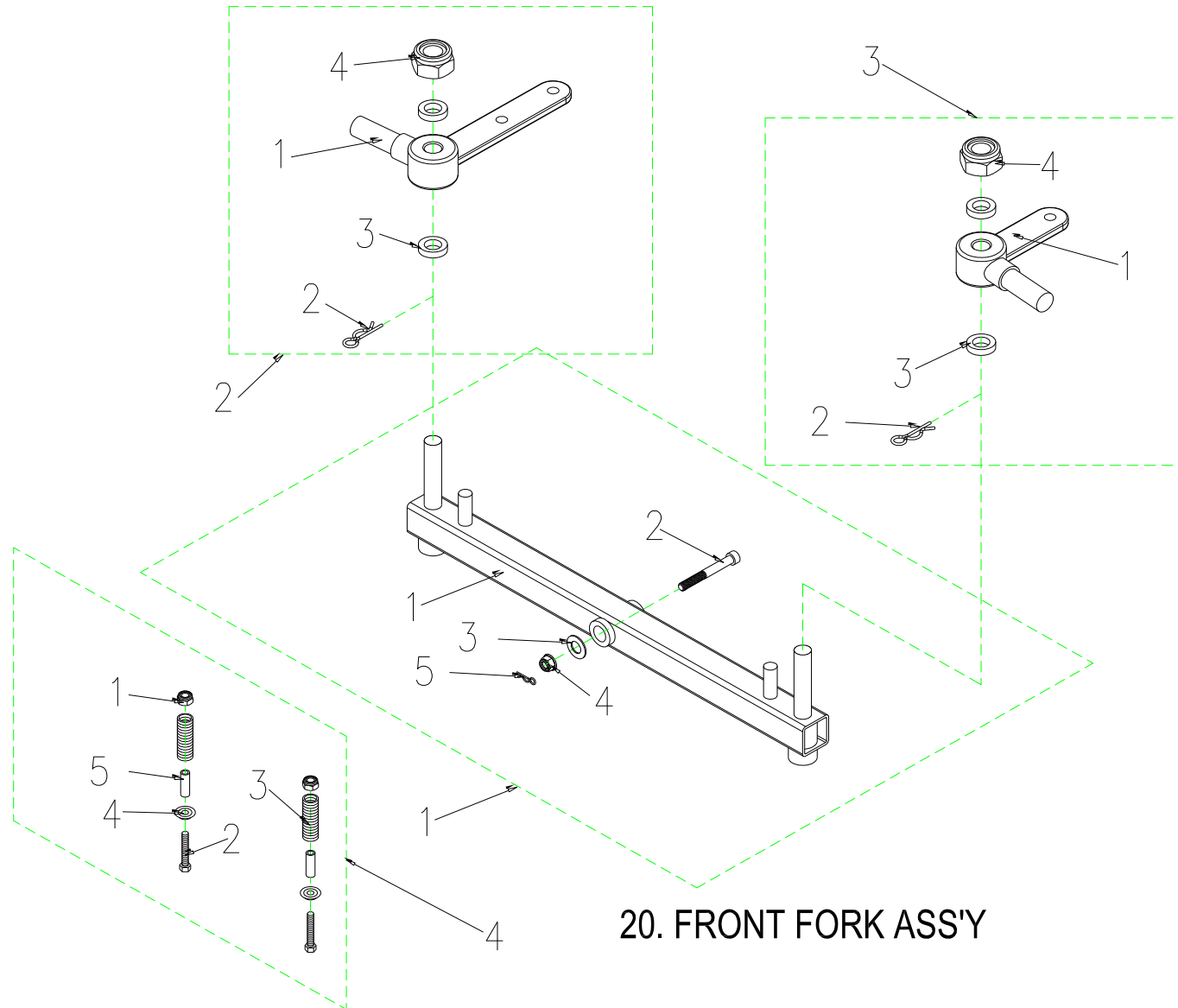
Xenata S

Fig&Index NO.	Parts No.	Parts Name	QTY
19	S09-067-00200	REAR DRIVE ASS'Y , 507mm/470W5300RPM/22 : 1, for M4JH6	1
19-1	C09-067-00500	REAR DRIVE ASS'Y (W/O BOLT / NUT) , 507mm/470W5300RPM/22 : 1	1
19-1-1	C09-067-00600	TRANSAXLE ONLY (W/O MOTOR) , 22 : 1/507mm	1
19-1-1-1	9357005005035	PIN,5x5x35	2
19-1-2	9021080201251	HEXAGON BOLT M8X20L	4
19-1-3	9211080200142	SPRING WASHER 5/16	4
19-1-4	C09-067-00700	MOTOR (W/I BRAKE) , 470W/5300RPM, 40KGF/CM	1
19-1-4-1	C09-067-00400	ELECTRO-MAGNETIC BRAKE, 40KGF/CM	1
19-1-4-2	9004040120704	BOLT,M4x12L	3
19-1-4-3	C09-029-02400	470W MOTOR ONLY	1
19-1-4-3-1	C09-005-00601	CARBON BRUSH , 7X11	2
19-1-4-3-2	C09-005-02400	CARBON BRUSH CAP , 7x11mm	2
19-2	C09-001-10501	U-TYPE PLATE,MOTOR	3
19-3	9024080950001	U-TYPE BOLT,M8X1.25-98HX15MM	1
19-4	9035080501251	BOLT,M8x50L	2
19-5	C09-001-10401	ARCH TYPE PLATE,MOTOR	1
19-6	C05-001-90200	RUBBER DAMPER PAD,MOTOR	4
19-7	9201080801252	LOCK NUT,M8x1.25	4
19-8	C09-067-01200	GRIP FOR ELECTRO-MAGNETIC BRAKE	1
19-9	C09-067-01100	FREEWHEEL LEVER BRACKET	1
19-10	9005050120802	BOLT , M5X12L	3
19-11	9211050100803	SPRING WASHER M5	3

Xenata S

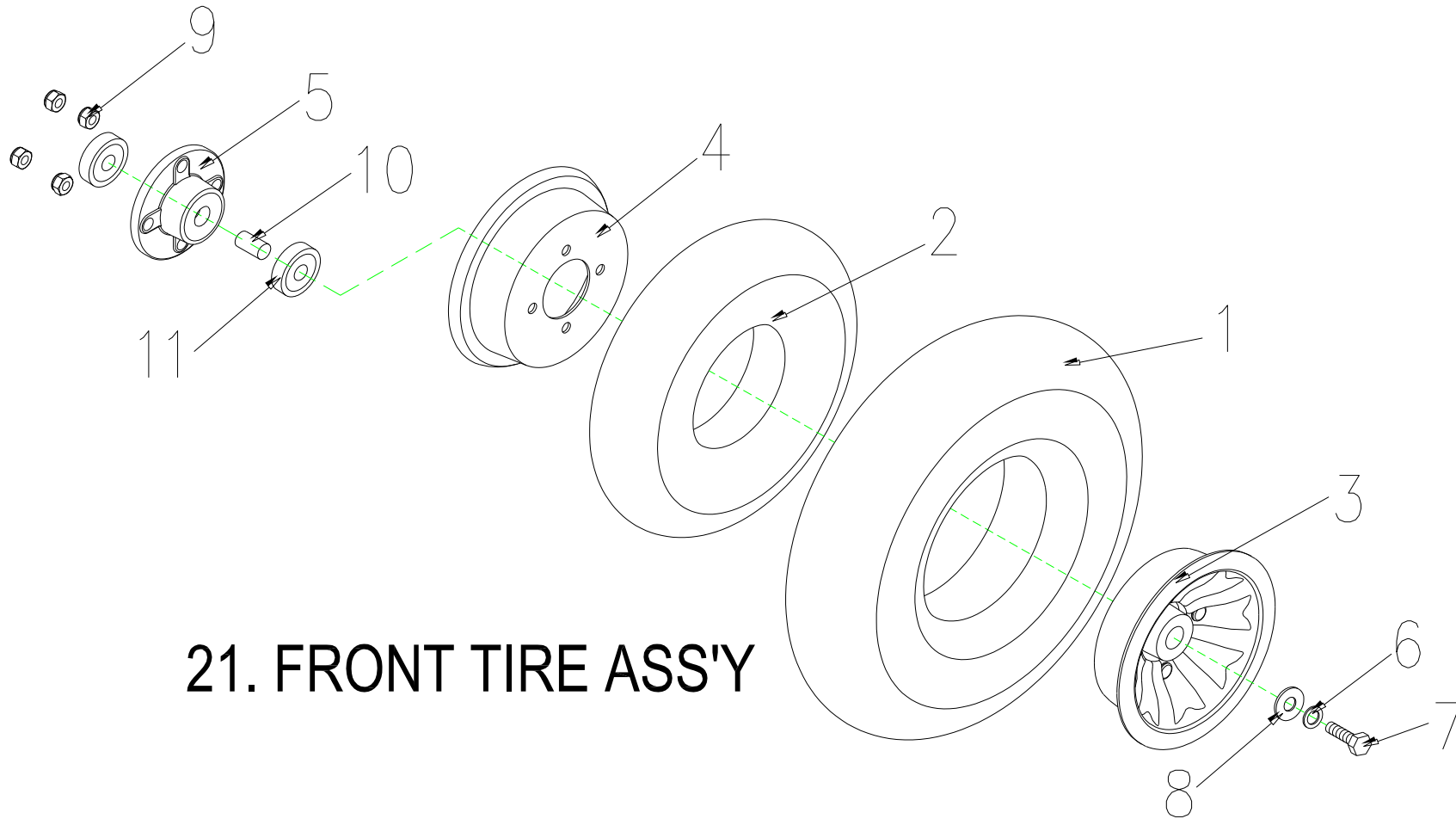
Fig&Index NO.	Parts No.	Parts Name	QTY
19	S09-067-00300	REAR DRIVE ASS'Y , 10M500W/5700RPM/507mm/20 : 1, for M4JH8	1
19-1	C09-067-00800	REAR DRIVE ASS'Y , 10M500W/5700RPM/507mm/20 : 1	1
19-1-1	C09-067-00900	TRANSAXLE ONLY (W/O MOTOR)507mm/20 : 1	1
19-1-1-1	9357005005035	PIN,5x5x35	2
19-1-2	9021080201251	HEXAGON BOLT M8X20L	4
19-1-3	9211080200142	SPRING WASHER 5/16	4
19-1-4	C09-067-01000	MOTOR (W/I BRAKE) , 10M500W/5700RPM	1
19-1-4-1	C09-067-00400	ELECTRO-MAGNETIC BRAKE	1
19-1-4-2	9004040120704	BOLT,M4x12L	3
19-1-4-3	C09-005-00303	500W MOTOR ONLY	1
19-1-4-3-1	C09-005-00601	CARBON BRUSH , 7X11	2
19-1-4-3-2	C09-005-02400	CARBON BRUSH CAP , 7x11mm	2
19-2	C09-001-10501	U-TYPE PLATE,MOTOR	3
19-2	C09-001-10500	U TYPE HOLDER	3
19-3	9024080950001	U-TYPE BOLT,M8X1.25-98HX15MM	1
19-4	9035080501251	BOLT,M8x50L	2
19-5	C09-001-10401	ARCH TYPE PLATE,MOTOR	1
19-5	C09-001-10400	ARC SHEET METAL	1
19-6	C05-001-90200	RUBBER DAMPER PAD,MOTOR	4
19-7	9201080801252	LOCK NUT,M8x1.25	4
19-8	C09-067-01200	GRIP FOR ELECTRO-MAGNETIC BRAKE	1
19-9	C09-067-01100	FREEWHEEL LEVER BRACKET	1
19-10	9005050120802	BOLT , M5X12L	3
19-11	9211050100803	SPRING WASHER M5	3

Xenata S



Xenata S

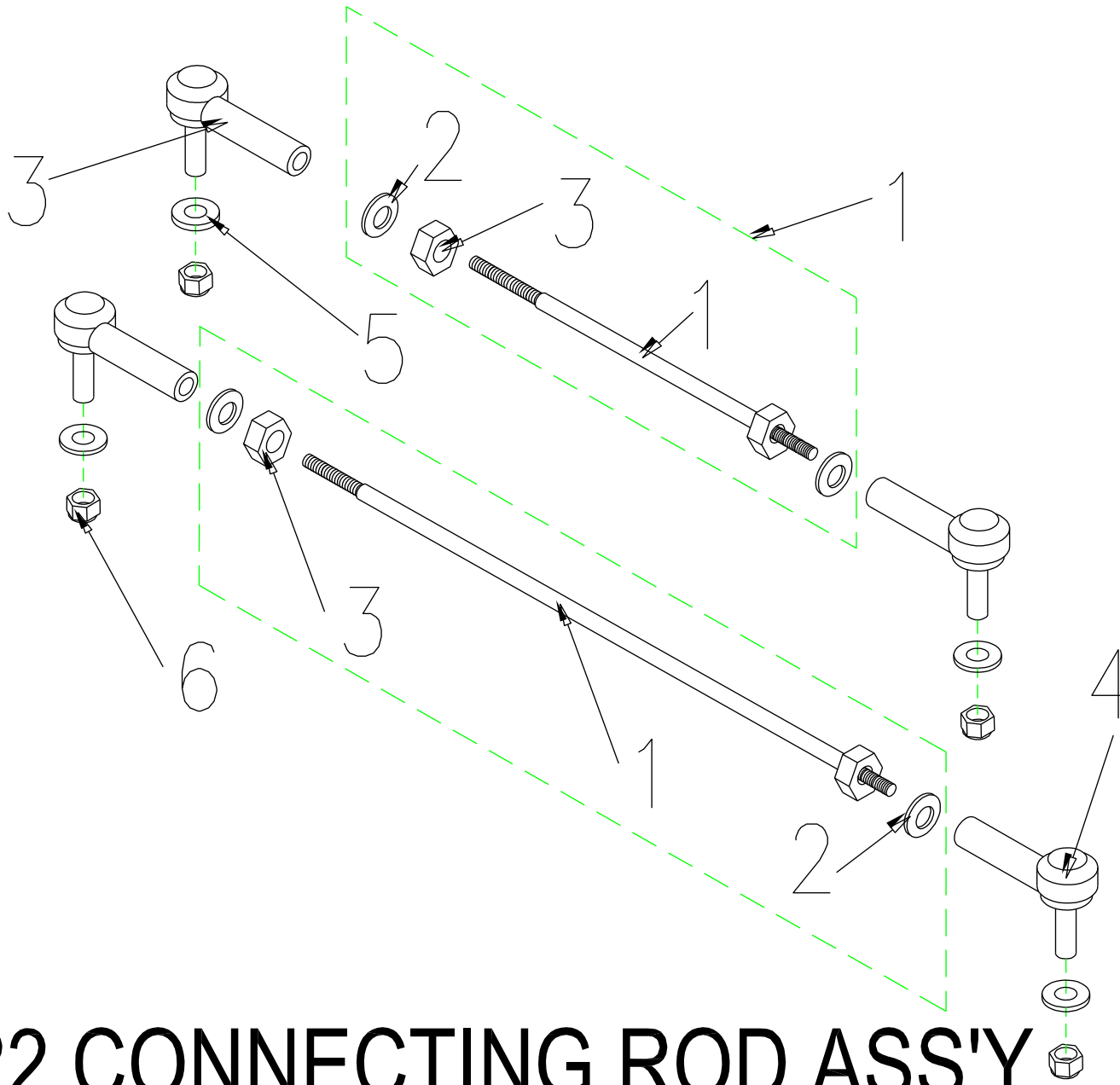
Fig&Index NO.	Parts No.	Parts Name	QTY	
20	S03-039-00400	FRONT FORK ASS'Y	1SET	
20-1	S03-033-00600	FRONT FORK SET	1	
20-1-1	C03-033-00100	FRONT FORK	1	
20-1-2	C03-067-00100	BOLT M12XP1.25X97L	1	
20-1-3	9214120250242	WASHER	1	
20-1-4	9204121251252	LOCK NUT , M12XP1.25	1	
20-1-5	9363018000002	R TYPE PIN , 1.8mm	1	
20-2	S03-001-00200	RH STEERING AXLE SET	1	
20-2-1	C03-001-00206	RH STEERING AXLE , W/I BEARING 6001ZZ	1	
20-2-2	9363018000002	R TYPE PIN , 1.8mm	1	
20-2-3	C03-001-10800	SPACER , 20x15XT5	2	
20-2-4	9201121201752	NUT , M12xP1.75	1	
20-3	S03-001-00300	LH STEERING AXLE SET	1	
20-3-1	C03-001-00106	LH STEERING AXLE , W/I BEARING 6001ZZ	1	
20-3-2	9363018000002	R TYPE PIN , 1.8mm	1	
20-3-3	C03-001-10800	SPACER , 20x15XT5	2	
20-3-4	9201121201752	NUT , M12xP1.75	1	
20-4	S03-039-00500	M4AHD SPRING WASHER SET	1	
20-4-1	9201080801252	LOCKING NUT , M8xP1.25	2	
20-4-2	9036080901251	FLANGE BOLT , M8x90	2	
20-4-3	C03-039-00401	SPRING	2	
20-4-3	C03-067-00300		2	
20-4-4	9214040100262	SPRING WASHER	2	
20-4-5	C03-036-00501	SPACER , 9X32	2	



21. FRONT TIRE ASS'Y

Xenata S

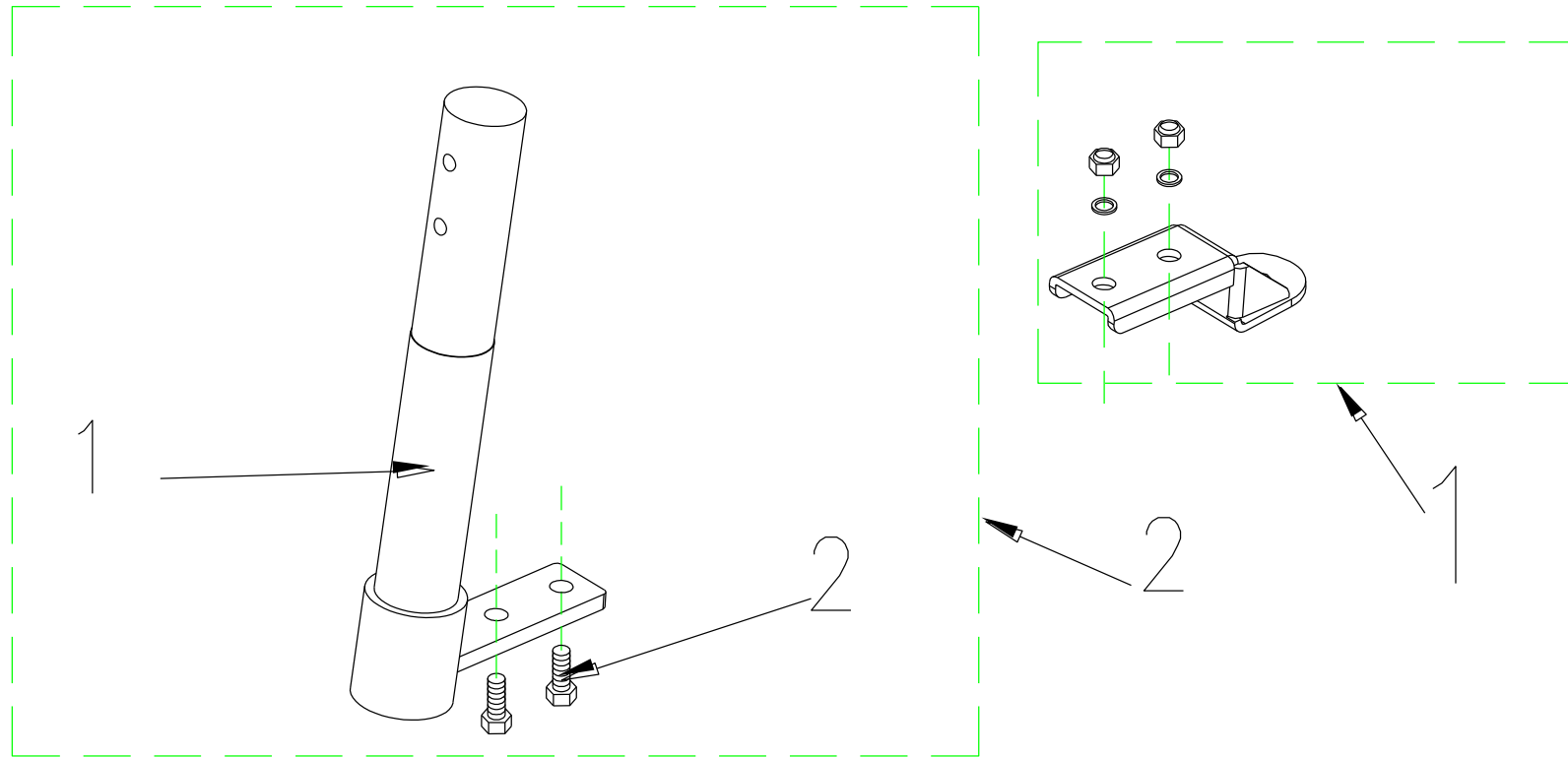
Fig&Index NO.	Parts No.	Parts Name	QTY	
21	S05-040-00200	FRONT TIRE ASSY,300-4	1SET	
21-1	C06-002-00100	TIRE , BLACK	1	
21-2	C06-002-00301	INNER TUBE	1	
21-3	C05-040-00102	WHEEL RIM , ALUNINUM , 4"	1	
21-4	C05-001-10401	WHEEL RIM , STEEL , 4"	1	
21-5	C05-001-10500	AXLE COLLAR,FRONT WHEEL	1	
21-6	9211080200142	SPRING WASHER,5/16	1	
21-7	9002080201251	BOLT,M8x20L	1	
21-8	9214080150232	WASHER,5/16	1	
21-9	9201080801252	LOCK NUT,M8x1.25	4	
21-10	C05-051-00200	SPACER , ψ 20X ψ 16X16.3L	1	
21-11	9653060020000	BEARING , 6202ZZ	2	



22.CONNECTING ROD ASS'Y

Xenata S

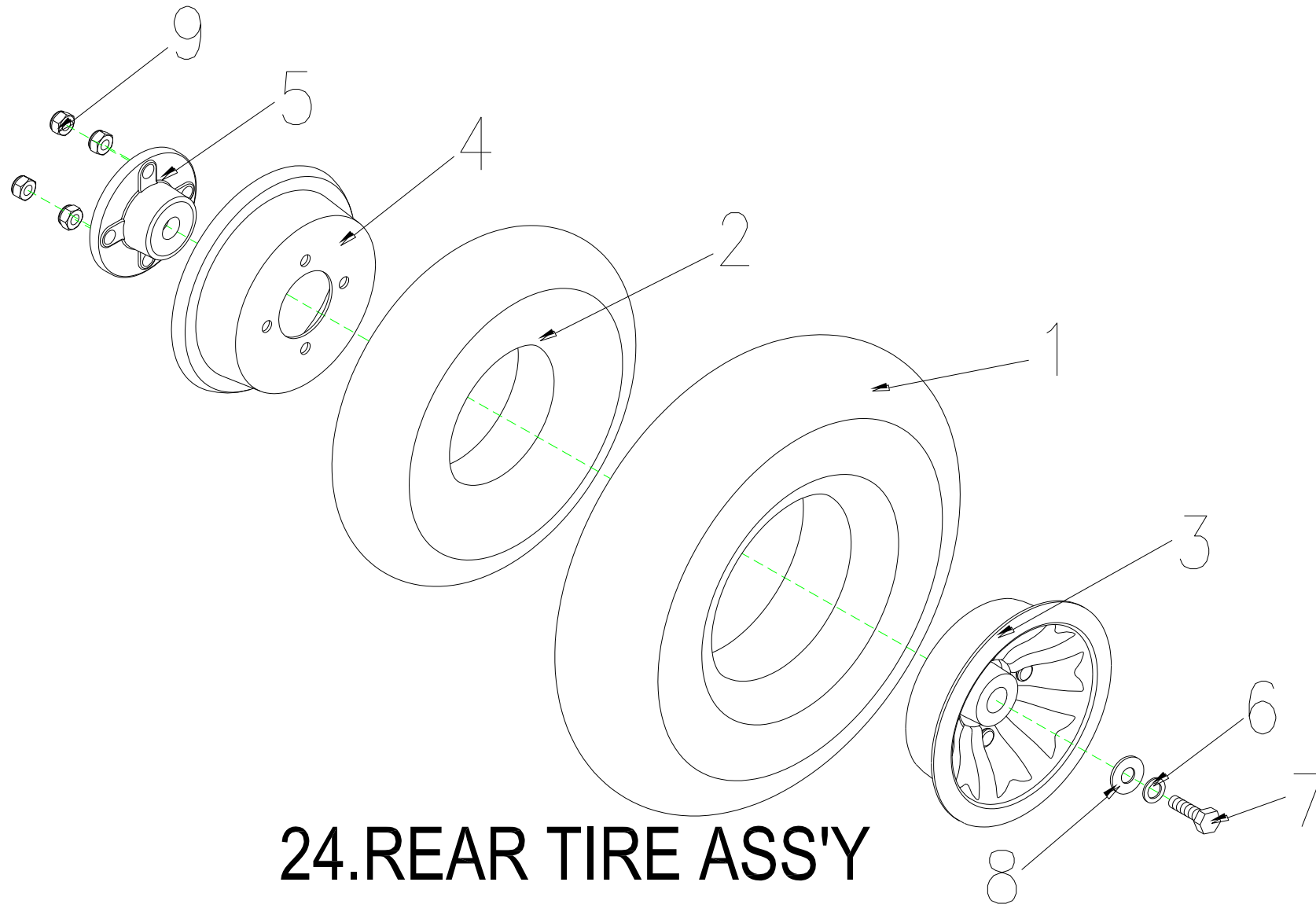
Fig&Index NO.	Parts No.	Parts Name	QTY	
22	S03-033-00400	CONNECTING ROD ASS'Y	1SET	
22-1	S03-033-00500	CONNECTION ROD,GUIDING SET	1	
22-1-1	C03-033-00201	CONNECTION ROD,GUIDING	1	
22-1-2	9211080200142	SPRING WASHER,5/16	2	
22-1-3	9202080601251	NUT , M8x1.25	1	
22-2	S03-033-00700	CONNECTION ROD,FRONT FORK SET	1	
22-2-1	C03-033-00301	CONNECTION ROD,FRONT FORK	1	
22-2-2	9211080200142	SPRING WASHER,5/16	2	
22-2-3	9202080601251	NUT , M8x1.25	1	
22-3	C19-001-10801	RBL8 JOINT,R	2	
22-4	C19-001-00101	RBL8 JOINT,L	2	
22-5	9211080200142	SPRING WASHER,5/16	4	
22-6	9201080801252	LOCK NUT,M8x1.25	4	



23. L TYPE STEERING AXLE ASS'Y

Xenata S

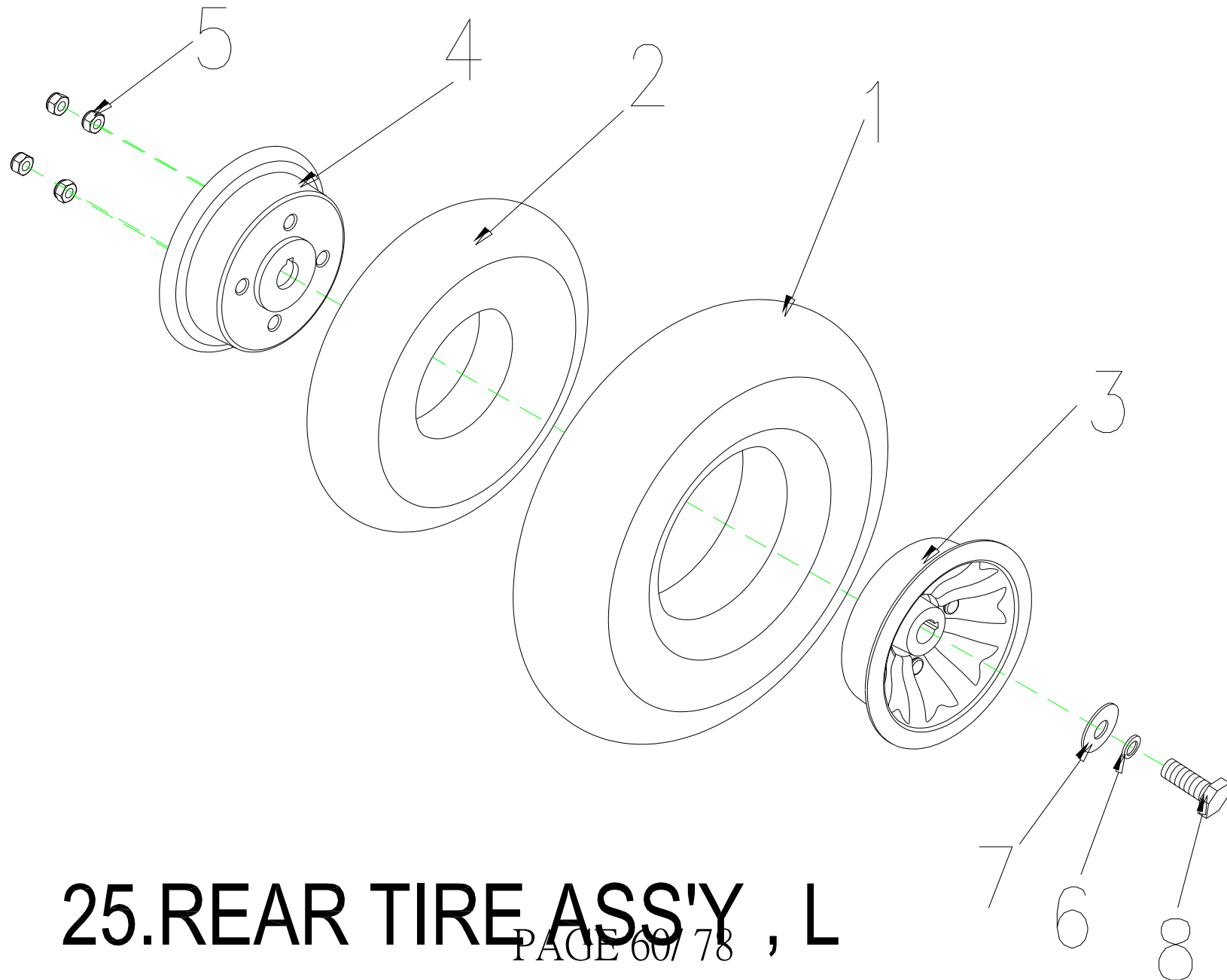
Fig&Index NO.	Parts No.	Parts Name	QTY	
23	S03-067-00100	L TYPE STEERING AXLE ASS'Y	1SET	
23-1	S03-067-00200	STEERING ARM SET	1	
23-1-1	C03-067-00202	STEERING ARM	1	
23-1-2	9211080200142	WASHER , 5/16	2	
23-1-3	9201080801252	LOCK NUT , M8X1.25	2	
23-2	S03-003-00500	L TYPE STEERING AXLE SET	1	
23-2-1	C03-003-00501	L TYPE STEERING AXLE	1	
23-2-2	9002080251251	BOLT, M8X20L	2	



24.REAR TIRE ASS'Y

Xenata S

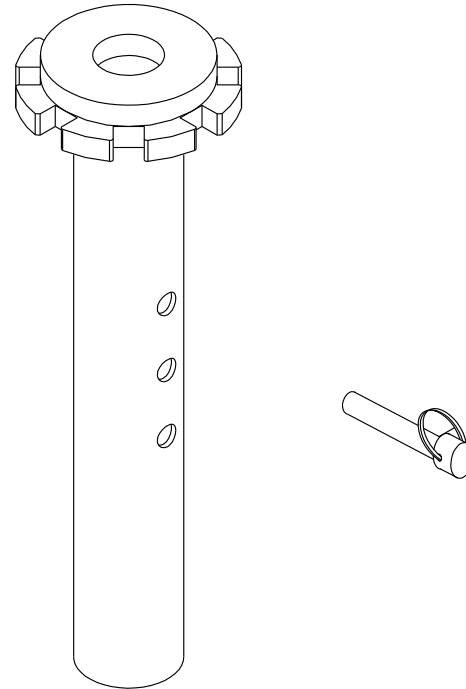
Fig&Index NO.	Parts No.	Parts Name	QTY	
24	S06-040-00200	REAR TIRE ASSY,300-4 , W/O DRUM BRAKE	1SET	
24-1	C06-002-00100	TIRE , BLACK	1	
24-2	C06-002-00301	INNER TUBE	1	
24-3	C05-040-00102	WHEEL RIM , ALUNINUM , 4"	1	
24-4	C05-001-10400	WHEEL RIM , STEEL , 4"	1	
24-5	C06-001-10201	AXLE COLLAR,REAR WHEEL	1	
24-6	9211080200142	SPRING WASHER,5/16	1	
24-7	9002080201251	BOLT,M8x20L	1	
24-8	9214080150232	WASHER,5/16	1	
24-9	9201080801252	LOCK NUT,M8x1.25	4	



25. REAR TIRE ASS'Y , L

Xenata S

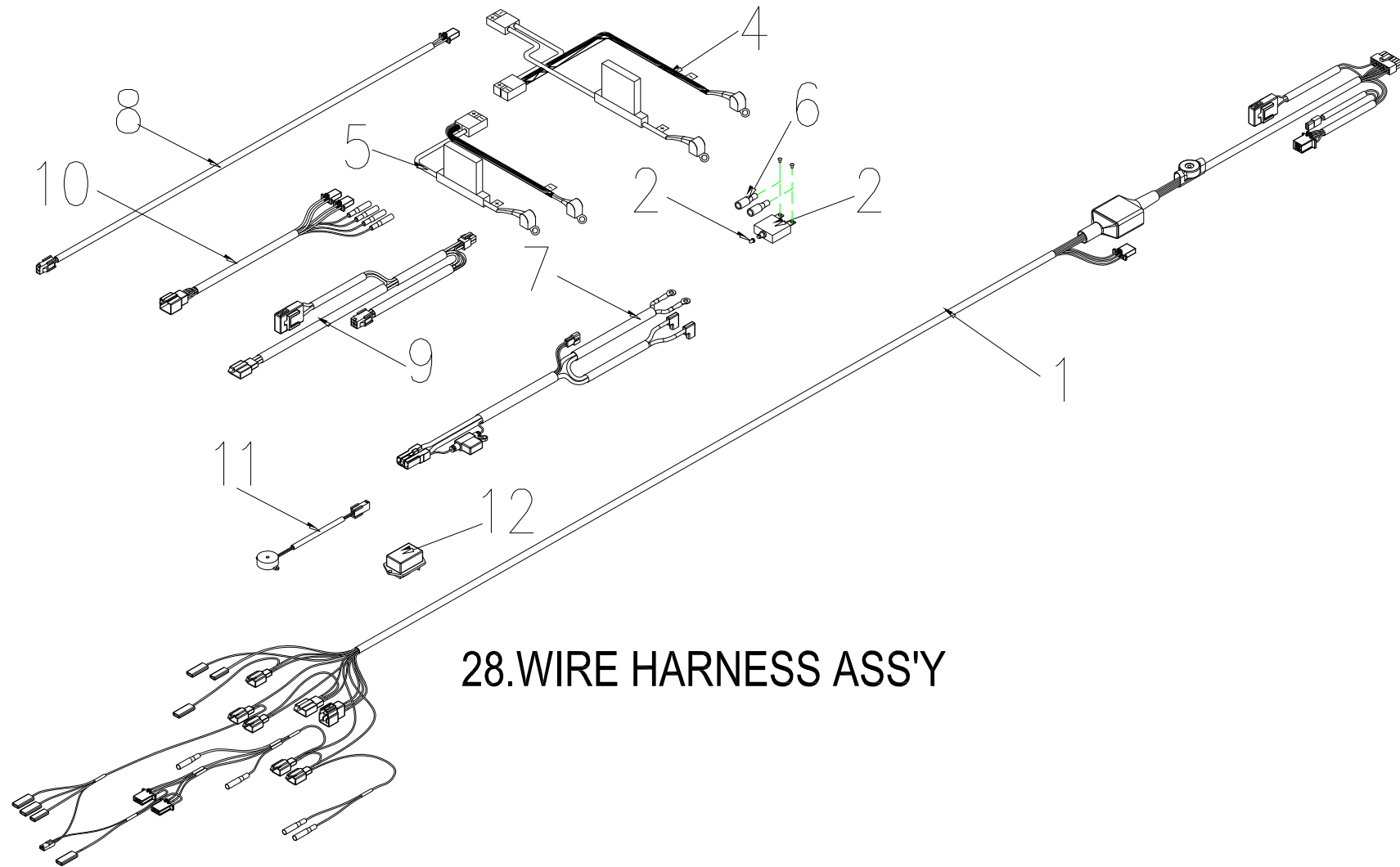
Fig&Index NO.	Parts No.	Parts Name	QTY	
25	S06-026-00300	REAR TIRE ASS'Y,BLACK,L , W/I DRUM BRAKE, for M4JH8	1SET	
25-1	C06-002-00100	REAR TIRE,BLACK	1	
25-2	C06-002-00301	INNER TUBE	1	
25-3	C05-040-00202	OUTTER WHEEL RIM , 4"	1	
25-4	C06-005-00203	DRUM BRAKE,REAR	1	
25-5	9201080801252	LOCK NUT,M8x1.25	4	
25-6	9211080200142	SPRING WASHER,5/16	1	
25-7	9214080150232	WASHER,5/16	1	
25-8	9002080201251	BOLT,M8x20L	1	
25-8	9001080201251	BOLT,M8x20L	1	



27. SEAT POST SET

Xenata S

Fig&Index NO.	Parts No.	Parts Name	QTY	
27	S07-067-00300	SEAT POST SET	1	
27-1	C07-067-00301	SEAT POST	1	
27-2	C01-001-10501	PIN , M8X50L	1	

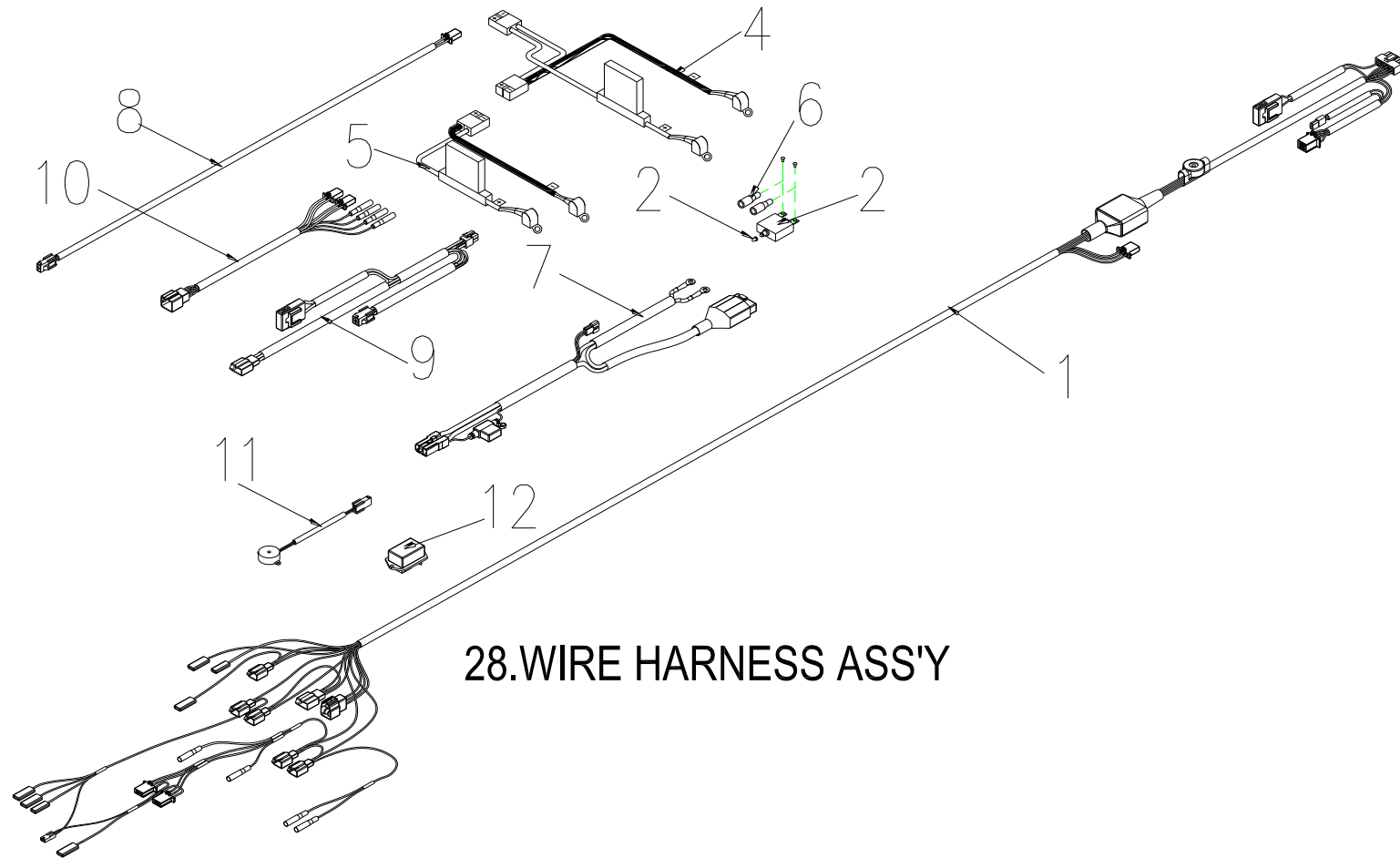


28.WIRE HARNESS ASS'Y

Xenata S

Fig&Index NO.	Parts No.	Parts Name	QTY	
28	S18-067-00100	WIRE HARNESS ASS'Y , W/I BUZZER, for M4JH6	1SET	
28-1	C18-067-00101	WIRE HARNESS ASS'Y	1	
28-1-1	C18-067-00201	WIRE HARNESS ASS'Y,FRONT	1	
28-1-2	C18-067-00301	WIRE HARNESS ASS'Y,REAR	1	
28-2	C16-022-00402	35A BREAKER,M11	1	
28-3	C16-009-00401	TUBE,PROTECT SWITCH	1	
28-4	C18-001-10305	BATTERY CABLE , W/I FUSE	1	
28-5	C18-001-10404	BATTERY CABLE , W/O FUSE	1	
28-6	C26-001-00800	PLUG	2	
28-7	C18-067-00400	POWER CABLE , FOR CONTROLLER P&G 70A	1	
28-8	C18-067-00600	CABLE CONNECT WITH HEADLIGHT	1	
28-9	C18-067-00800	CABLE UNIT ,	1	
28-10	C18-067-00700	CABLE UNIT , REAR LIGHT	1	
28-11	C12-050-00500	BUZZER	1	
28-12	C12-001-10703	FLASHER RELAY	1	

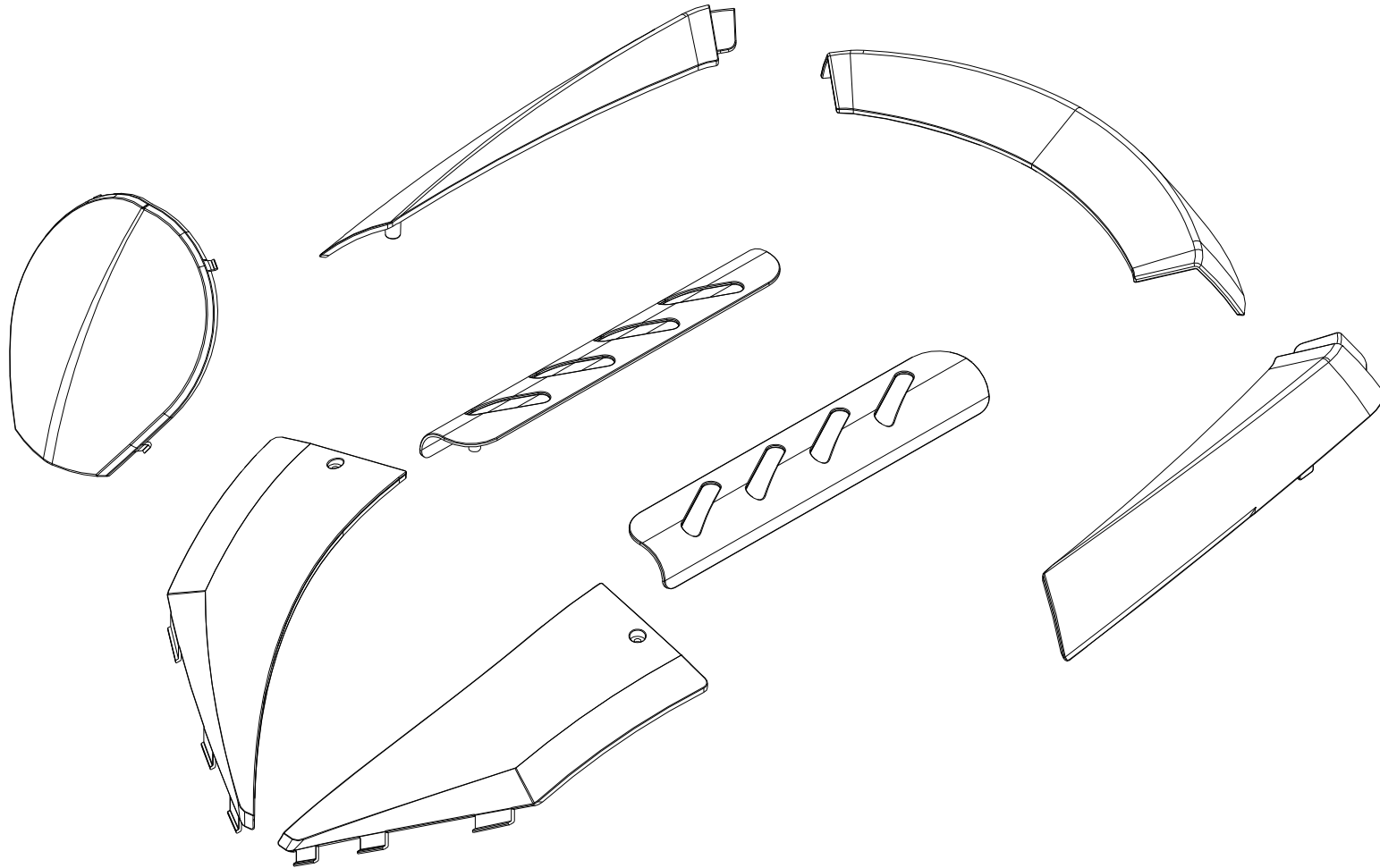
Xenata S



28.WIRE HARNESS ASS'Y

Xenata S

Fig&Index NO.	Parts No.	Parts Name	QTY	
28	S18-067-00401	WIRE HARNESS ASS'Y , W/I BUZZER FOR PCB, M4JH8	1SET	
28-1	C18-067-01101	WIRE HARNESS ASS'Y	1	
28-1-1	C18-067-01201	WIRE HARNESS ASS'Y,FRONT	1	
28-1-2	C18-067-01300	WIRE HARNESS ASS'Y,REAR	1	
28-2	C16-022-01401	40A BREAKER,M11	1	
28-3	C16-009-00401	TUBE,PROTECT SWITCH	1	
28-4	C18-001-10304	BATTERY CABLE , W/I FUSE	1	
28-5	C18-001-10403	BATTERY CABLE , W/O FUSE	1	
28-6	C26-001-00800	PLUG	2	
28-7	C18-067-00501	POWER CABLE , FOR CONTROLLER P&G 120A	1	
28-8	C18-067-00600	CABLE CONNECT WITH HEADLIGHT	1	
28-9	C18-067-00800	CABLE UNIT ,	1	
28-10	C18-067-01800	CABLE UNIT , REAR LIGHT	1	
28-11	C12-050-00500	BUZZER	1	
28-12	C12-001-10703	FLASHER RELAY	1	

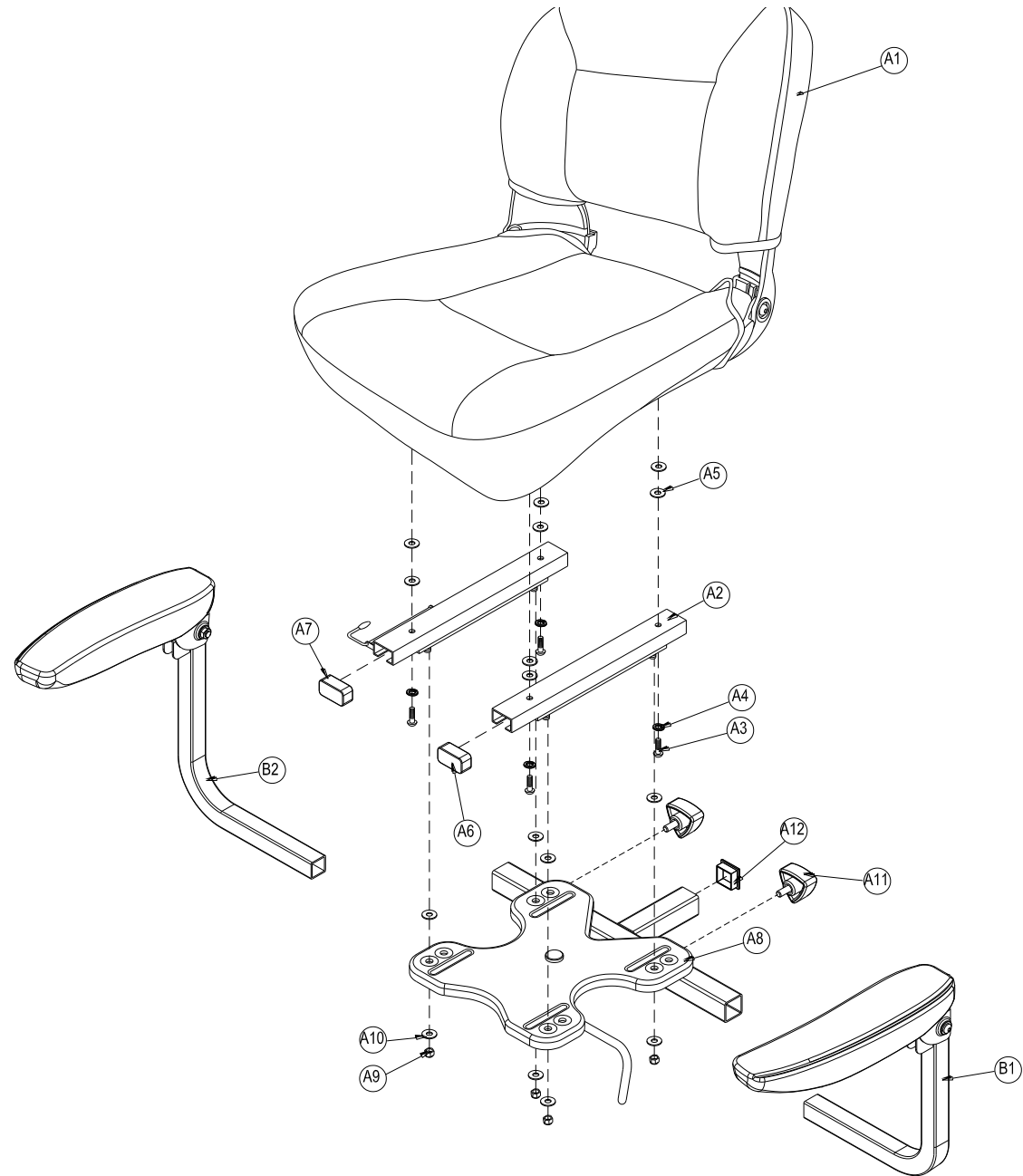


29.DECORATION ASS'Y

Xenata S

Fig&Index NO.	Parts No.	Parts Name	QTY	
29	S08-067-01711	DECORATION ASS'Y,RED 11, M4JH6	1	
29-1	C08-067-00811	DECORATION,REAR SHROUD,M,RED 11	1	
29-2	C08-067-00911	DECORATION,REAR SHROUD,L,RED 11	1	
29-3	C08-067-01011	DECORATION,REAR SHROUD,R,RED 11	1	
29-4	C08-067-00311	DECORATION,FRONT SHROUD,L,RED 11	1	
29-5	C08-067-00411	DECORATION,FRONT SHROUD,R,RED 11	1	
29-6	C08-067-00511	DECORATION PLATE, FOOTREST ,L , RED 11	1	
29-7	C08-067-00611	DECORATION PLATE, FOOTREST ,R , RED 11	1	
29-8	C08-067-01911	DECORATION,REAR COVER , HAND BAR , RED 11	1	
29	S08-067-01791	DECORATION ASS'Y,WHITE 91, M4JH8	1	
29-1	C08-067-00891	DECORATION,REAR SHROUD,M,WHITE 91	1	
29-2	C08-067-00991	DECORATION,REAR SHROUD,L,WHITE 91	1	
29-3	C08-067-01091	DECORATION,REAR SHROUD,R,WHITE 91	1	
29-4	C08-067-00391	DECORATION,FRONT SHROUD,L,WHITE 91	1	
29-5	C08-067-00491	DECORATION,FRONT SHROUD,R,WHITE 91	1	
29-6	C08-067-00591	DECORATION PLATE, FOOTREST ,L , WHITE 91	1	
29-7	C08-067-00691	DECORATION PLATE, FOOTREST ,R ,WHITE 91	1	
29-8	C08-067-01991	DECORATION,REAR COVER , HAND BAR , WHITE 91	1	

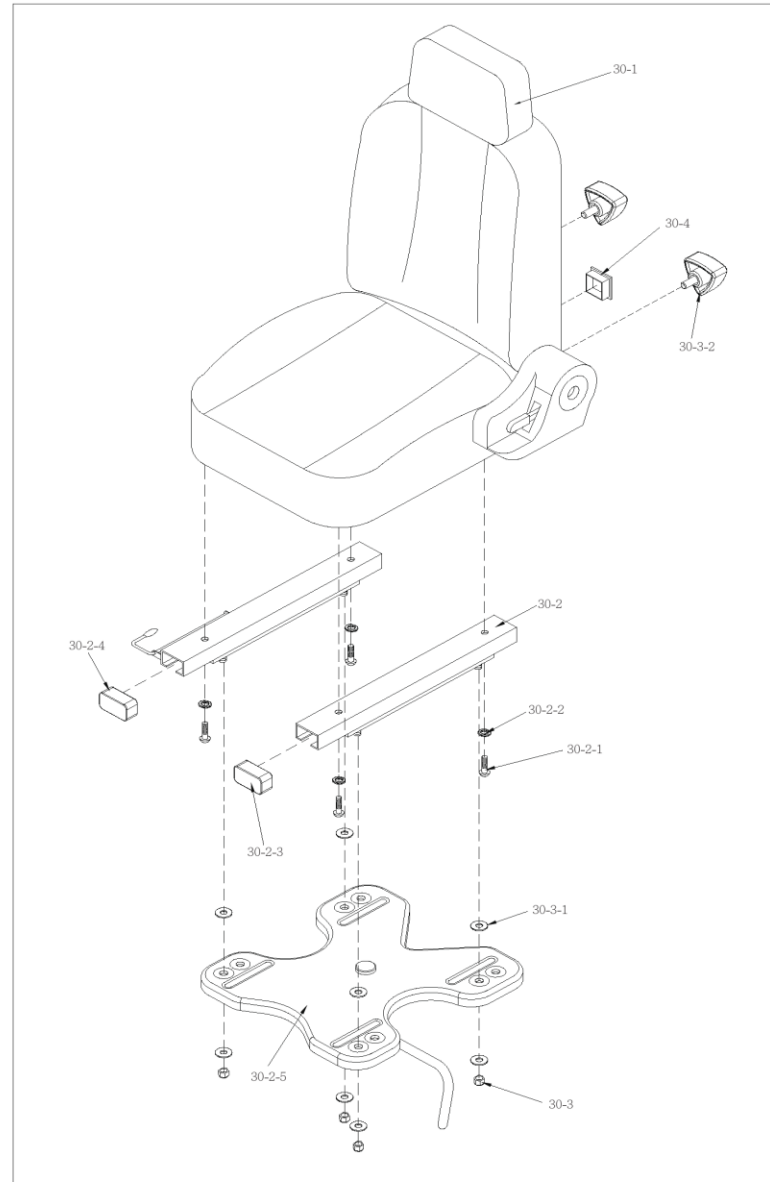
Xenata S



Xenata S

Fig&Index NO.	Parts No.	Parts Name	QTY	
A1-B2	S07-076-00600	SEAT ASS'Y, 994 FISH ON(W/I ARMREST)	1SET	
A1-A12	S07-076-00500	SEAT ASS'Y, 994 FISH ON	1SET	
A1	C07-067-00703	SEAT, 994 FISH ON	1	
A2	C07-016-00600	SLIDING, 150mm	1	
A3	9032080201253	HEXAGON BOLT, M525L	4	
A4	9211080200142	SPRING WASHER	4	
A5	9214080300232	WASHER	8	
A6	C26-003-00200	PLUG ,SLIDING-L	1	
A7	C26-003-00300	PLUG ,SLIDING-R	1	
A8	C07-040-01403	HOLDER PLATE , SEAT	1	
A9	9201080801252	LOCK NUT,M8x1.25	4	
A10	9214080150232	WASHER	8	
A11	C30-001-10300	BOLT,W/I KNOB , M8x20L	2	
A12	C26-001-00401	BOLT,W/I KNOB	1	
B1-B2	C07-028-02400	ARMREST ASS'Y	1	
B1	C07-028-00504	ARMREST , R	1	
B2	C07-028-00404	ARMREST , L	1	
	C07-067-01200	FAUX LEATHER, CUSHION	1	
	C07-067-01300	FAUX LEATHER, BACKREST	1	

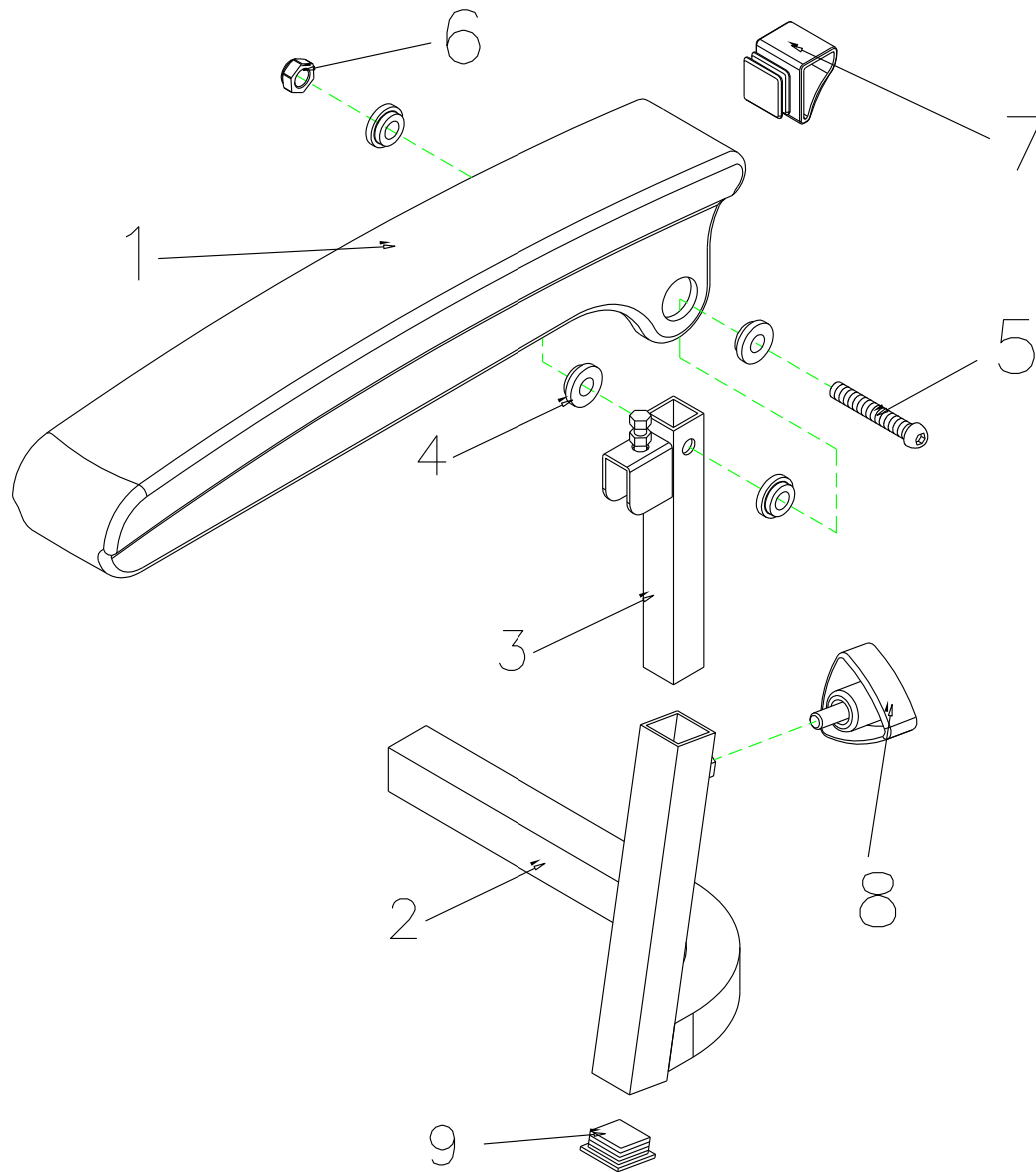
Xenata S



Xenata S

Fig&Index NO.	Parts No.	Parts Name	QTY	
30	S07-076-00200	SEAT ASS'Y ,TA378C3	1SET	
30-1	C07-076-00200	18" SEAT , MODEL : TA378C3	1	
30-2	C07-001-05800	SLIDING , 100mm	1	
30-2-1	9032080151253	BOLT,M8x20	4	
30-2-2	9211080200142	SPRING WASHER	4	
30-2-3	C26-003-00200	PLUG ,SLIDING-L	1	
30-2-4	C26-003-00300	PLUG ,SLIDING-R	1	
30-2-5	C07-040-00801	HOLDER PLATE , SEAT	1	
30-3	9201080801252	LOCK NUT,M8x1.25	4	
30-3-1	9214080150232	WASHER	8	
30-3-2	C30-001-10202	BOLT,W/I KNOB , M8x25L	4	
30-4	C26-001-00401	BOLT,W/I KNOB	3	

Xenata S

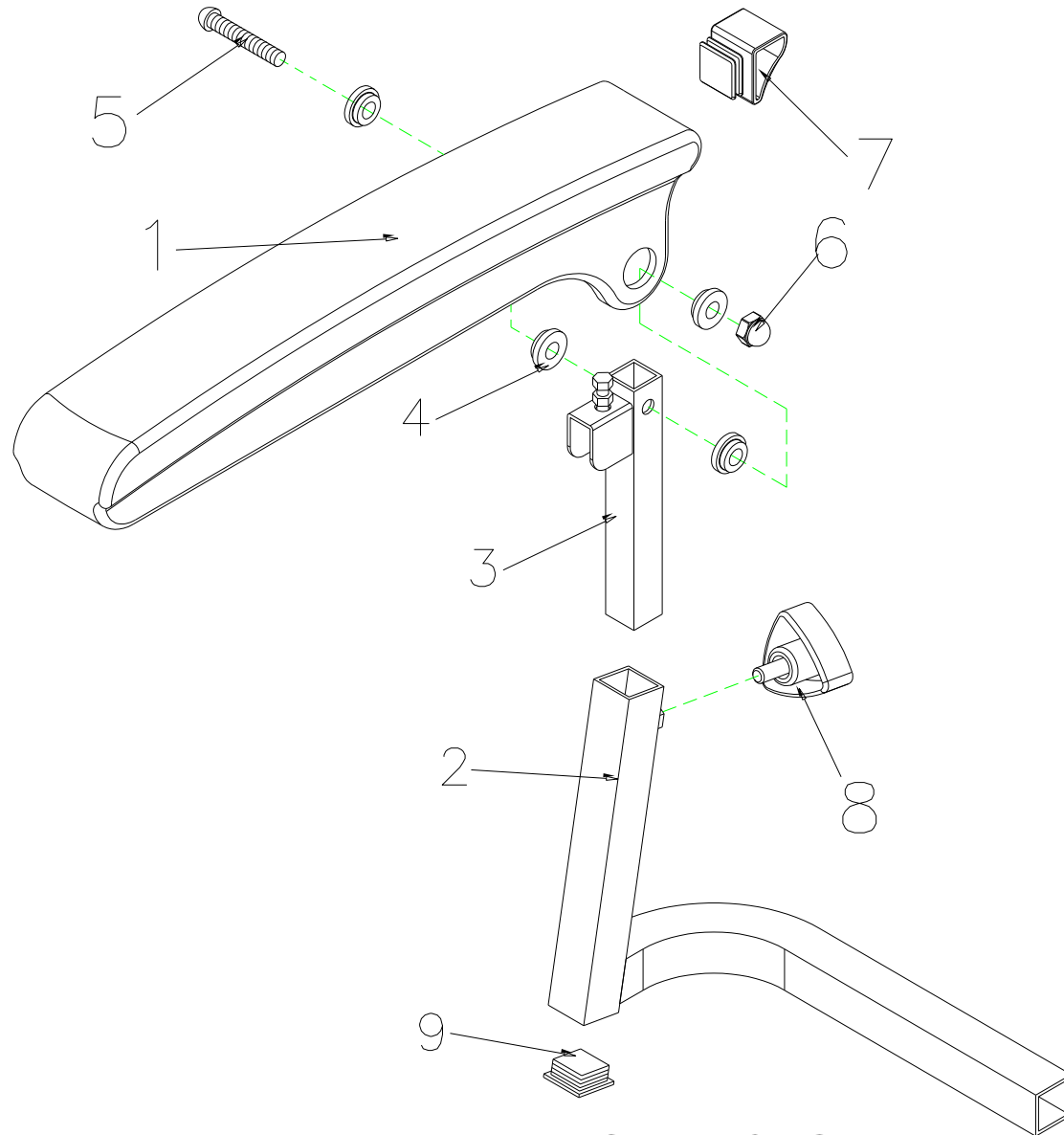


31.ARMREST COMP. , L

Xenata S

Fig&Index NO.	Parts No.	Parts Name	QTY	
31	S07-053-00100	ARMREST COMP. , L	1	
31-1	C07-044-00503	ARMREST , UPPER	1	
31-2	C07-053-00201	ARMREST ,LOWER, L	1	
31-3	C07-053-00101	ARMREST , MIDDLE	1	
31-4	C07-044-01701	WASHER , 8mm	4	
31-5	9032080551251	HEXAGON BOLT , M8x55(ED)	1	
31-6	9206081251252	LOCK NUT , M8x1.25	1	
31-7	C07-044-00601	PLUG	1	
31-8	C30-001-10202	BOLT,W/I KNOB , M8x20	1	
31-9	C26-001-00500	PLUG 1"X1"	1	

Xenata S



32.ARMREST COMP., R

PAGE 76/78

Xenata S

Fig&Index NO.	Parts No.	Parts Name	QTY	
32	S07-053-00300	ARMREST COMP. , R	1SET	
32-1	C07-044-00503	ARMREST , UPPER	1	
32-2	C07-053-00301	ARMREST , LOWER , R	1	
32-3	C07-053-00101	ARMREST , MIDDLE	1	
32-4	C07-044-01701	WASHER , 8mm	4	
32-5	9032080551251	BOLT , M8x55L	1	
32-6	9206081251252	LOCK NUT , M8x1.25	1	
32-7	C07-044-00601	PLUG	1	
32-8	C30-001-10202	BOLT,W/I KNOB , M8x20	1	
32-9	C26-001-00500	PLUG 1"X1"	1	

Xenata S

Fig&Index NO.	Parts No.	Parts Name	QTY	
34		ACCESSORIES		
34-1	C23-067-00100	BASKET , PLASTIC	1	
34-2	C12-005-00800	CHARGER,220V, 8A OFF BOARD	1	
34-4	C37-001-00201	MIRROR , R	1	
	C37-001-00300	MIRROR , L		
34-5	C27-001-10100	MIRROR COMP	1	
34-8	C12-001-00800	CHARGER CABLE, EU	1	
34-12		OWNER'S MANUAL	1	
34-18	C99-067-01500	CARTON, including interior packaging	1	